

# **PZ 系列谐波仪表**

## **PZ Series Harmonic Meters**

**安装使用说明书 V1.3**  
Installation and operation instructionV1.3

安科瑞电气股份有限公司

**ACREL CO.,LTD**

申 明  
DECLARATION

版权所有，未经本公司之书面许可，此手册中任何段落、章节内容均不得被摘抄、拷贝或以任何形式复制、传播，否则一切后果由违者自负。

本公司保留一切法律权利。

本公司保留对本手册所描述之产品规格进行修改的权利，恕不另行通知。订货前，请垂询当地代理商以获悉本产品的最新规格。

No part of this publication may be reproduced, stored in a retrieval system, or transmitted in any form by any means, electronic, mechanical photocopying, recording, or otherwise without prior permission of Acrel. All rights reserved.

This company reserve power of revision of product specification described in this manual, without notice. Before ordering, please consult local agent for the latest specification of product.

# 目 录

## CONTENTS

1 概述 General.....	- 1 -
2 产品规格及功能特点 Specification and features.....	- 1 -
2.1 系列产品规格 Series Products specification.....	- 1 -
2.2 系列产品辅助功能 auxiliary functions of series products.....	- 2 -
3 技术参数 Technical parameter.....	- 5 -
4 安装接线说明 Instruction of installing connection.....	- 6 -
4.1 安装尺寸 installing size.....	- 6 -
4.2 接线方法 Method of connection.....	- 7 -
5 包装 Package.....	- 9 -
6 工程施工注意事项 Notice in engineering construction.....	- 9 -
6.1 电压输入 Voltage input.....	- 9 -
6.2 电流输入 Current input.....	- 9 -
6.3 通讯接线 Communication connection.....	- 10 -
7 操作说明 Operation description.....	- 10 -
7.1 PZ96L-E4/H/PZ42L-E4/H 操作指南 Operating guide.....	- 10 -
8 通讯说明 Communication description.....	- 21 -
8.1 简介 General.....	- 21 -
8.2 通讯地址表 Communication Address Table.....	- 21 -
8.3 通讯值与实际值对应关系.....	- 29 -
9 DL/T-645 通讯指南 Communication Guideline.....	- 31 -
9.1 DL/T645-1997 协议简述 DL/T645-1997 protocol overview.....	- 31 -
9.2 传输方式 Transmission mode.....	- 31 -
9.3 协议 Protocol.....	- 32 -
10 平均值、极值相关说明 (average, extreme value instructions.....	- 38 -
10.1 按键操作指南 Key operation guide.....	- 38 -
10.2 通讯说明 Communication description.....	- 38 -

## 1 概述 General

PZ 系列可编程智能电测仪表包括 PZ96L-E4/H、PZ42L-E4/H 等多款产品,是本公司按 IEC 标准设计,与国际先进技术同步的综合电力监控仪表。

该系列产品具有三相交流电量测量、四象限电能计量、谐波分析、电网质量分析、遥信输入、遥控输出以及网络通讯等功能,主要用于对电网供电质量的综合监控诊断及电能管理。

PZ Harmonic meters include multiple products,such as PZ96L-E4/H,PZ42L-E4/H etc.The integrated electric power monitoring meters are developed by ACREL,conforming to IEC standard, synchronized with the international advanced technology.

They have many functions such as full-scale three Phase AC electric parameter measurement, four-quadrant electric energy metering, harmonic analysis, electric network quality analysis,remote signaling input,remote control Output,Network Communication function etc. mainly using for integrated monitoring and power management of electricity quality of electric network.

## 2 产品规格及功能特点 Specification and features

### 2.1 系列产品规格 Series Products specification

型号 Type	PZ96L-E4/H	PZ42L-E4/H
功能特性 Functional performance		
显示方式 display mode		
	LCD (字段式) LCD(Field)	LCD (字段式) LCD(Field)
实时测量 Real-time measurement		
电流/电压/频率/功率因数 Current/voltage/frequency/power factor	√	√
有功/无功/视在功率 Active power/Reactive power/ Apparent power	√	√
四象限电能计量 Four-quadrant electric energy metering	√	√
分次谐波 Sub-harmonic	√(2-21)	√(2-21)
总谐波含量 (THD) Total Harmonic Distortion (THD)	√	√
电压电流不平衡度 (UF) Voltage and current unbalance	√	√
事件记录 Event record	√	√
报警 Alarm	√	√

通讯 Communication			
RS485 接口 RS485interface	Modbus 协议 Modbus Protocol	√	√
	DL/T-645 规约 DL/T-645 statute	√	√
Profibus		√	√

## 2.2 系列产品辅助功能 auxiliary functions of series products

仪表型号 type	外形 shape	可选功能 <sup>注1、注6</sup> Optional functions	有功脉冲 active pulse	无功脉冲 Reactive pulse	接线方式 <sup>注3</sup> Connection mode
PZ96L-E4/H	96 方形 square	1、无 none	√	√	C2
		2、2DI2DO <sup>注4</sup>			A1+B1
		3、4DI	√		A2+C1
		4、4DI2DO	√		A2+B3+C1
					A2+B1
		5、4DI2DO2M+C <sup>注5</sup>	√	√	A2+B1+D2+C2
		6、5DI	√		A3+C1
		7、2M	√	√	D2+C2
8、CP <sup>注2</sup>			见 Profibus 通讯		
PZ42L-E4/H	42 方形 square	1、无 none	√	√	C2
		2、4DI2DO2M	√	√	A2+B3+D2+C2
		3、4DI3DO	√		A2+B6+C1
		4、4DI3DO+C <sup>注5</sup>			
		5、4DI4DO	√		A2+B5+C1
					A2+B2
		6、8DI	√	√	A4+C3
		7、8DI4DO			A4+B4
		8、8DI2DO	√	√	A4+B3+C3
		9、4M	√	√	D1+C2
10、CP <sup>注2</sup>			见 Profibus 通讯		

注 1：可选功能中，DI:表示开关量输入；DO：表示开关量输出；M：表示模拟量输出，CP：表示 Profibus 接口（如：4DI3DO+C 表示四路开关量输入+三路开关量输出+两路 RS485 通讯）。

Note 1: among the optional functions, DI: switch input; DO: switch output; M: analog output, CP: Profibus interface (e.g.: 4DI3DO+C indicates four-way switch input + three-way switch output + two-way RS485 communication).

注 2：Profibus 与 RS485 通讯不可同时选择，但可与其它所有功能任意配合选择。

Note 2: Profibus and RS485 communication can not be enabled at the same time; but it can be randomly compatible with all other functions.

注 3：接线方法是几种可选功能的组合，例：订货型号为 PZ42L-E4/H(8DI4DO),辅助功能接线方式为：A4+B4 。

Note 3: the wiring method is the combination of several selectable functions, e.g.: order model PZ42L-E4/H(8DI4DO), auxiliary function wiring mode: A4+B4.

注 4：如带报警功能，占 DO 中的一组触点。

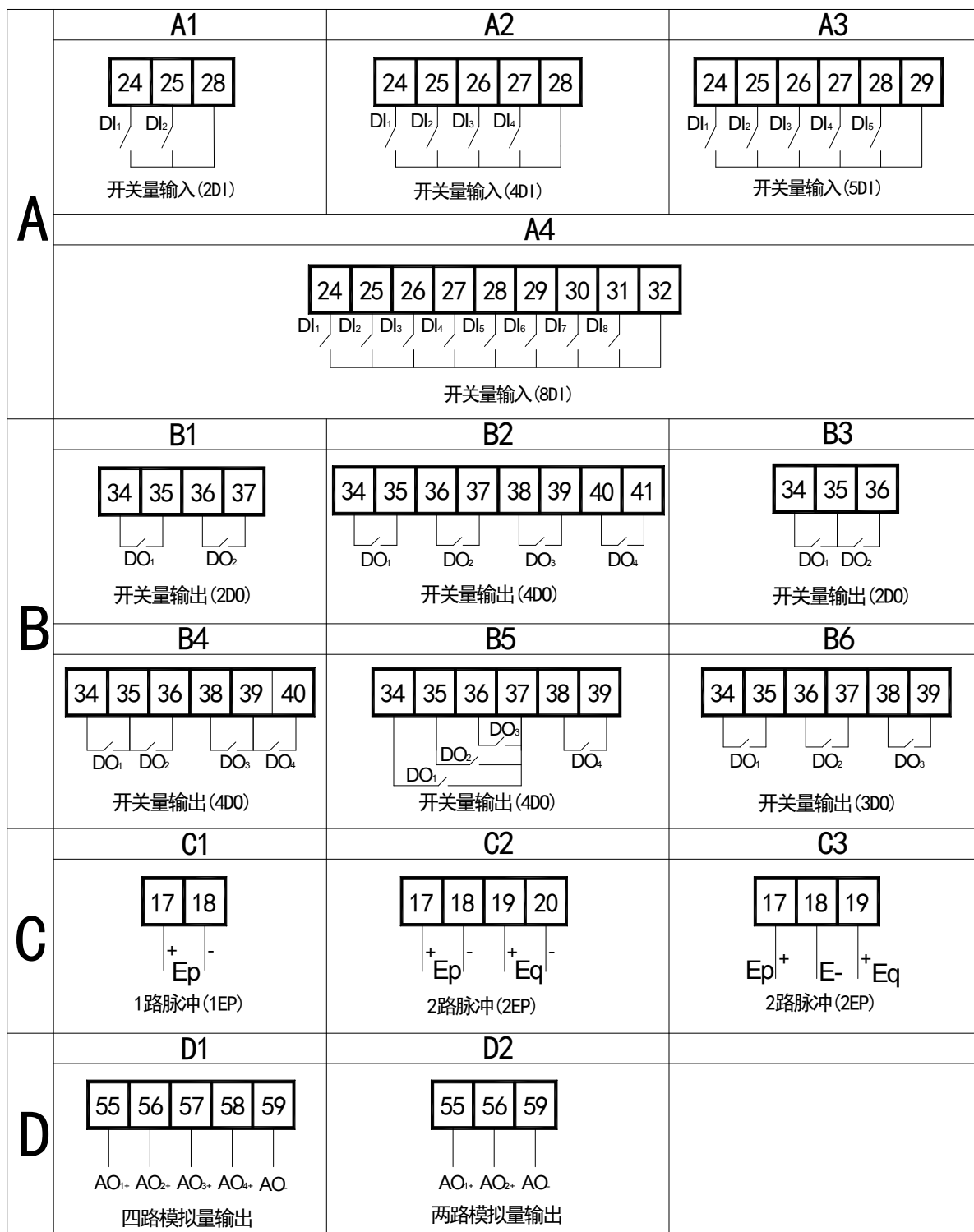
Note 4: e.g. having alarm function, occupying one set of DO contacts.

注 5：当仪表可选功能中带+C 时，表示增加 1 路 RS485 通讯(仪表标配一路 RS485 通讯)。

Note 5: when the instrument selectable function has +C, it means addition of 1-way RS485 communication (one-way RS485 communication in terms of standard instrument configuration).

注 6：各辅助功能的接线方式详见第四页。

Note 6: details of wiring mode of auxiliary functions given in page 4.



### 3 技术参数 Technical parameter

技术参数 Technical parameter		指标 Value
输入 Input	网络 Net work	三相三线、三相四线； 3-phase 3-wire,3-phase 4 wire
	频率 Frequency	45~65Hz；
	电压 Voltage	额定值 Rating: AC 57.7V/100V(100V)、220V/380V(400V)、 380V/660V(660V) ；
		过负荷: 1.2 倍额定值 (连续)；2 倍额定值/1 秒； Overload:1.2-fold rating(continuous);2-fold rating/1second
		功耗: < 0.2VA (每路)； Consumption:<0.2VA
	电流 Current	额定值 Rating: AC 1A、5A；
过负荷: 1.2 倍额定值 (连续)；10 倍额定值/1 秒； Overload:1.2-fold rating(continuous);10-fold rating/1 second		
功耗: < 0.2VA (每路)； Consumption:< 0.2VA		
输出 Output	电能 Electric energy	输出方式: 集电极开路的光耦脉冲； Output mode:Open-collector photocoupler pulse 脉冲常数 Pulse constant: 4000imp/kWh(5A)、8000imp/kWh(1A), 详见接线图 See wiring diagram；
	通讯 Communication	RS485 接口、Modbus-RTU 协,Profibus 协议,DLT645 规约 RS485 interface,Modbus-RTU Protocol;Profibu protocol ,DL/T645 protocol
开关量输入 Switching input		干接点输入, 内置电源; Dry contact input,built-in power supply
开关量输出 Switching output		输出方式: 继电器常开触点输出; Output mode:Relay NO contact output 触点容量 Contact capacity: AC 250V/3A DC 30V/3A
测量精度 Measuring accuracy		频率 0.05Hz、电压电流 0.2 级、无功电能 1 级、其它 0.5 级; 谐波: 1%; Frequency 0.05HZ,voltage and current level 0.2 class, reactive electric energy 1 class,other 0.5 class,harmonic: 1%.
电源 Power supply		AC/DC 85~270V; 功耗≤4VA; Consumption≤4VA
安全性 Safety	工频耐压 Power-frequency withstand voltage	外壳与辅助电源、各输入、输出端子组之间的工频耐压为 AC 4kV/1min; Power frequency withstand voltage between enclosure, auxiliary power and input and output terminal is AC 4kV/1min; 辅助电源与各输入端子、各输出端子组之间的工频耐压为 AC 2kV/1min; Power frequency withstand voltage between auxiliary power and input and output terminal is AC 2kV/1min; 电压输入与其他输入输出端子组之间的工频耐压为 AC 2kV/1min; Power frequency withstand voltage between voltage input and other

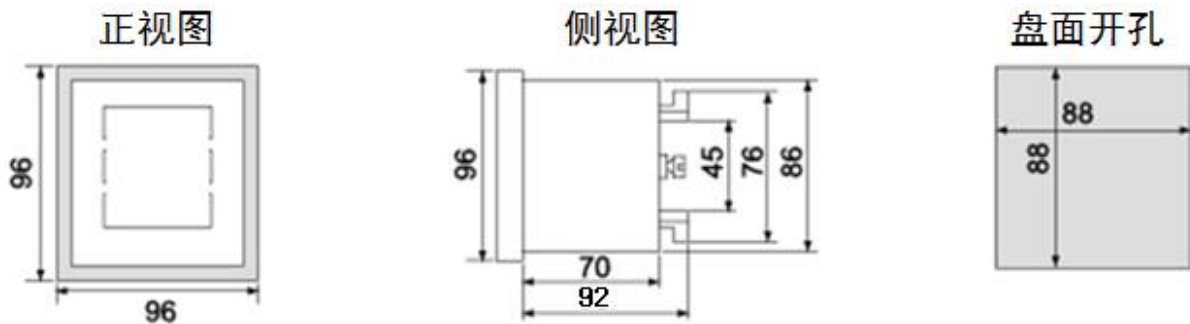


		input and output terminal is AC 2kV/1min; 电流输入与其他输入输出端子组之间的工频耐压为 AC 2kV/1min; Power frequency withstand voltage between current input and other input and output terminal is AC 2kV/1min; 继电器输出与其他输入输出端子组之间的工频耐压为 AC 2kV/1min; Power frequency withstand voltage between relay output and other input and output terminal is AC 2kV/1min; 开关量输入、通讯、模拟量输出、脉冲输出各端子组之间的工频耐压为 AC 1kV/1min; Power frequency withstand voltage between switch volume input and communication and analog output and pulse output terminal is AC 1kV/1min;
	绝缘电阻 Insulation resistance	输入、输出端对机壳>100MΩ; Input,Output terminal to housing>100MΩ
环境 Environment		工作温度 Working temperature: -10℃~+55℃; 储存温度 Storage temperature: -20℃~+70℃; 相对湿度 Relative humidity: ≤95% 不结露; 海拔高度 Altitude: ≤2500m;

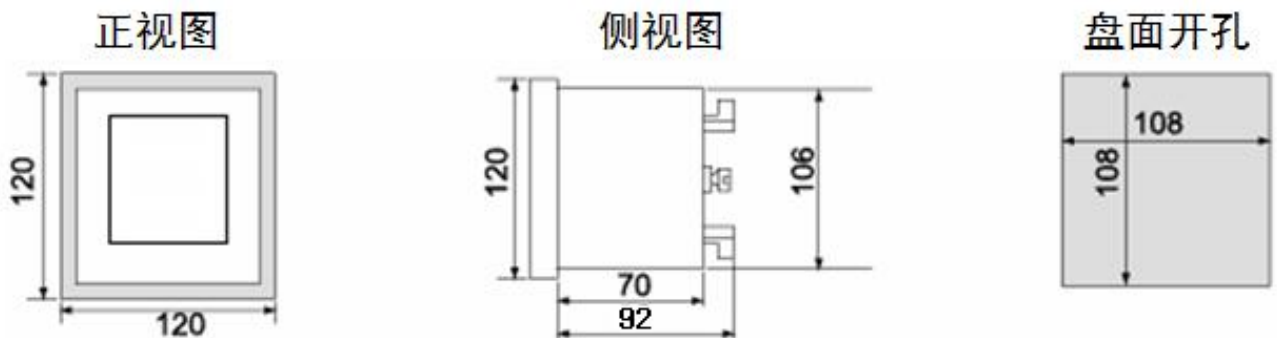
#### 4 安装接线说明 Instruction of installing connection

##### 4.1 安装尺寸 installing size

PZ96L-E4/H



PZ42L-E4/H



## 4.2 接线方法 Method of connection

根据不同的设计要求，推荐在电源、电压输入端子增加保险丝（BS88 2A gG）以满足相关电气规范的安全性要求。

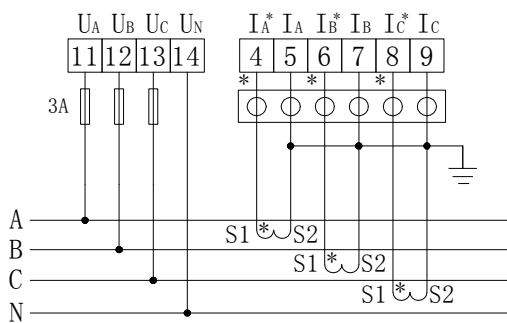
According to varied design requirements, power and voltage input terminals are recommended with fuse (BS88 2A gG) to meet with the safety performance requirements of prevailing electric codes.

### 4.2.1 仪表信号端子接线方法

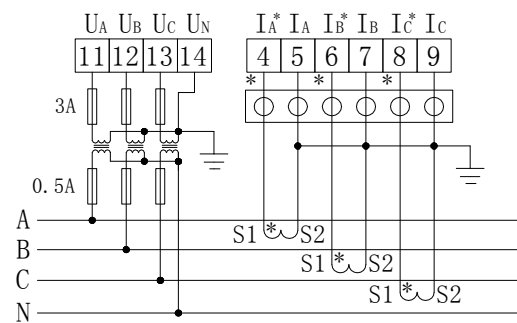
信号端子：“4，5，6，7，8，9”为输入电流信号的端子号；“11，12，13，14”为输入电压信号的端子号；

### 4.2.1 Method of connection for signal terminal of meter

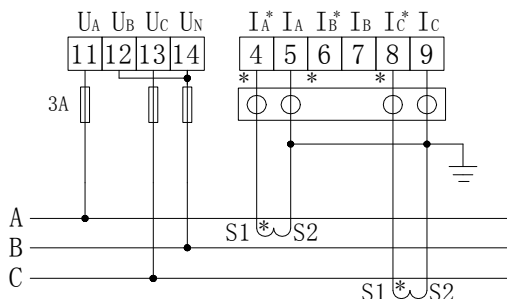
signal terminal: Terminal number of current input signal as “4, 5, 6, 7, 8, 9”; Terminal number of voltage input signal as “11, 12, 13, 14”;



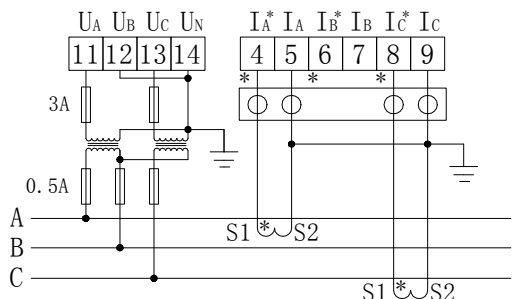
三相四线3CT



三相四线3PT、3CT



三相三线2CT

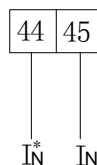


三相三线2PT、2CT

注：○ ○ ○ ○ ○ ○ 为用于CT二次侧短接的试验端子

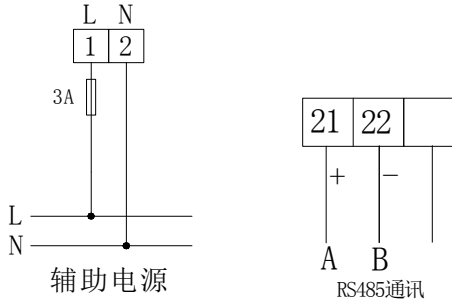
“44，45”为中性线电流输入的端子号。

"44, 45" represents the input terminal number of the neutral line current.



#### 4.2.2 仪表辅助电源、通信端子接线方法

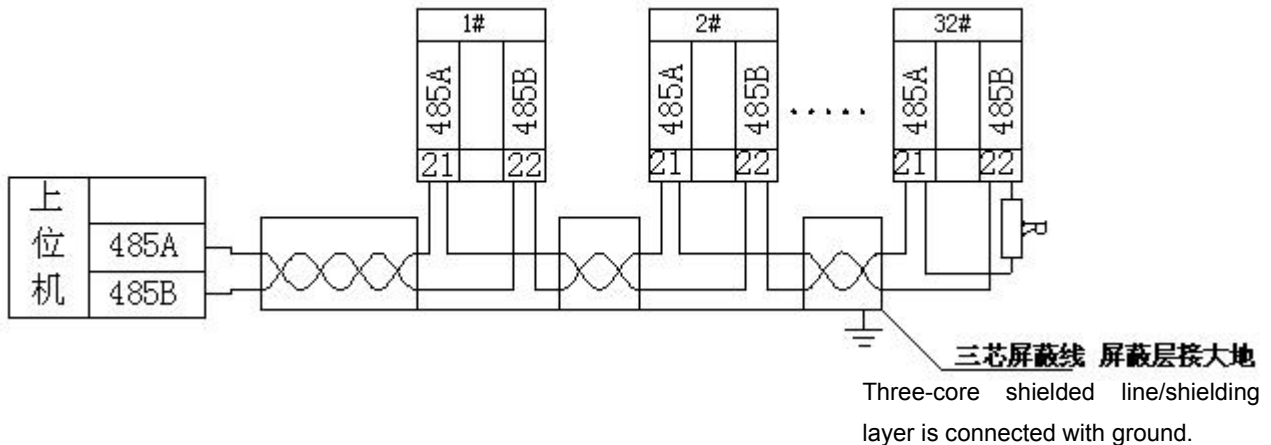
仪表辅助电源及通信端子：“1，2”为辅助电源端子号，“21,22”为通讯端子号，“60，61”为第2路通讯端子号。



Auxiliary power

关于通讯部分的接线实例如下图所示：

正确接线方式：通讯电缆屏蔽层接大地。

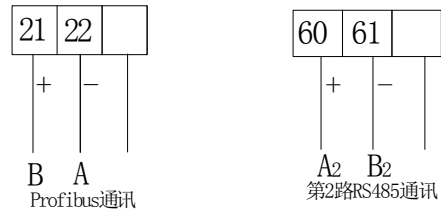


建议最末端仪表的 A、B 之间加匹配电阻，阻值范围为 120Ω~10 kΩ。

注：当仪表带 Profibus 功能时，与之相关的通信配置、GSD 文件，请详见随仪表附带的光盘。

#### 4.2.2 Instrument auxiliary power and communication terminal wiring method

Instrument auxiliary power and communication terminal: "1, 2" auxiliary power terminal number, "21, 22" communication terminal number, "60, 61" represents the second way communication terminal number.



The wiring example of the communication part is shown in figure below:

Correct wiring mode: communication cable shielding is bonded to earth.

It's recommended that the matching resistance shall be added between the foremost and instruments A, B and the rated resistance range is 120Ω~10 kΩ.

Note: when the instrument has Profibus function, details of the related communication configuration and GSD files are given in the accompanying disc of the instrument.

## 5 包装 Package

包装内含下列项目:主机(含插拔式端子排)、安装支架、出厂检验报告、合格证(防伪标签)、安装使用说明书。

在打开产品包装时,请仔细检查是否有损坏,如有任何损坏请及时通知 ACREL 公司或代理商,并请保留损坏的外包装,本公司将及时予以更换。

The package include following items:Principal (including plug-in group terminal blocks),installing supporter,delivery inspection report,certificate(anti-forging tag),installation and operation instruction.

When unwrapping the package,check carefully for damage,if any,please inform ACREL company or agent,and keep the damaged external packing for inspection,if it is responsibility of ACREL company or agent,will replace it in time.

## 6 工程施工注意事项 Notice in engineering construction

### 6.1 电压输入 Voltage input

输入电压应不高于产品的额定输入电压(100V 或 400V 或 660V)的 120%,否则应使用 PT;在电压输入端须安装 1A 保险丝;需根据产品的 PT 接线方式来设定产品的接线方式,方法如下:

Input Voltage shall not be greater than 120% of rated input Voltage (100V or 400V or 660V), otherwise, using PT shall be considered;On voltage input terminal ,1A fuse shall be installed; Set product connection mode as per the product PT connection mode,shown as follows:

接线方式 Connection mode	选择 Selection
2 元件 2component	3P3L
3 元件 3component	3P4L

### 6.2 电流输入 Current input

标准额定输入电流为 1A 或 5A,要求使用外部 CT(建议使用接线排,不要直接接 CT,以便于拆装);

要确保输入电流与电压相对应,相序一致,方向一致;

如果使用的 CT 回路上连有其它仪表,接线应采用串接方式;

去除产品的电流输入连线之前,一定要先断开 CT 一次回路或者短接二次回路!

Standard rated input current is 1A or 5A,the external CT shall be used(Advising to use the line bank,instead of connecting CT directly,to facilitate dismantling);Ensure input current matching with voltage,phase sequence is identical,direction is identical; if the used CT connecting with other meter, connection shall adopt tandem connection mode. Before removing product's current input connection,firstly, cut off CT primary circuit or shorted secondary circuit!

### 6.3 通讯接线 Communication connection

仪表提供异步半双工 RS485 通讯接口，采用 MODBUS-RTU 协议，各种数据信息均可在通讯线路上传送。理论上在一条线路上可以同时连接多达 128 个网络电力仪表，每个网络电力仪表均可设定其通讯地址 (Addr)。通讯连接建议使用屏蔽双绞线，线径不小于 0.5mm<sup>2</sup>。布线时应使通讯线远离强电电缆或其他强电场环境。

This series meter provides asynchronism half duplex RS485 Communication interface,adopts MODBUS-RTU protocol,various data information may be transmitted on the Communication line. Theoretically,on the same line,meters up to 128 may be connected at the same time ,each meter can set up its Communication address (ADDR). Communication connection is recommended to use shielded twisted pair wire,its linear diameter is no less than 0.5mm<sup>2</sup>, when wiring, the Communication line shall be far away from strong current cable or other strong electric field environment.

## 7 操作说明 Operation description

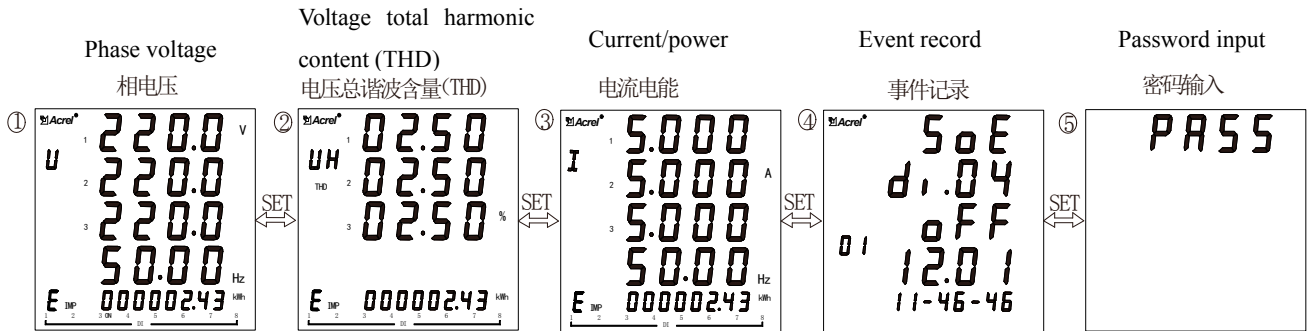
### 7.1 PZ96L-E4/H/PZ42L-E4/H 操作指南 Operating guide

#### 7.1.1 按键功能说明 Button function description

SET 键 SET	<p>测量模式下，连续按该键 4 次进入编程模式，仪表提示输入密码 CODE，输入正确密码 (0001) 后，可对仪表进行编程设置；</p> <p>Under measuring mode,press this button in succession for four(4) times to enter the programming mode,meter prompt password input CODE,after type in correct password (0001)to set up meter programming;</p> <p>编程模式下，用于返回上一级菜单</p> <p>Under programming mode,this button is used for return to previous menu</p>
左键 Left	<p>测量模式下，按该键对显示项目向上翻页；</p> <p>Under measuring mode,press this button can page up the display items;</p> <p>编程模式下，用于同级菜单的四位数循环移位（被选中位处于闪烁状态）</p> <p>Under programming mode,this button is used for 4-bitcircular shift of the same menu(the bit selected is in flickering)</p>
右键 Right	<p>测量模式下，按该键对显示项目向下翻页；</p> <p>Under measuring mode,press this button can page down the display items;</p> <p>编程模式下，用于同级菜单的所选位的数值修改（可修改位处于闪烁状态；修改范围为“0—9”）</p> <p>Under programming mode,this button is used for numerical value revising of selected bit of the same menu(the bit revising is in flickering;revising range as"0-9")</p>
回车键 Enter	<p>编程模式下，用于确认菜单项目的选择和参数的修改</p> <p>Under programming mode,this button is used for confirming selection of menu item and revision of parameter</p>

SET 键循环切换显示 如下图所示:

Set circular switching is displaying in below diagram:



注: 以上各 SET 循环界面下文中用①, ②, ③, ④, ⑤表示; 无事件记录功能时④界面不显示。

Note: Above SET circular interface is shown as ①, ②, ③, ④, ⑤ respectively, During the absence of event log function, ④ interface doesn't show.

7.1.2 仪表开机瞬间显示为仪表版本信息

7.1.2 The first displaying information after starting is the meter version information

仪表开机瞬间显示为仪表版本信息, 之后即显示相电压或者线电压界面。

The first displaying information after starting is the meter version information, then is the Phase voltage or line voltage.



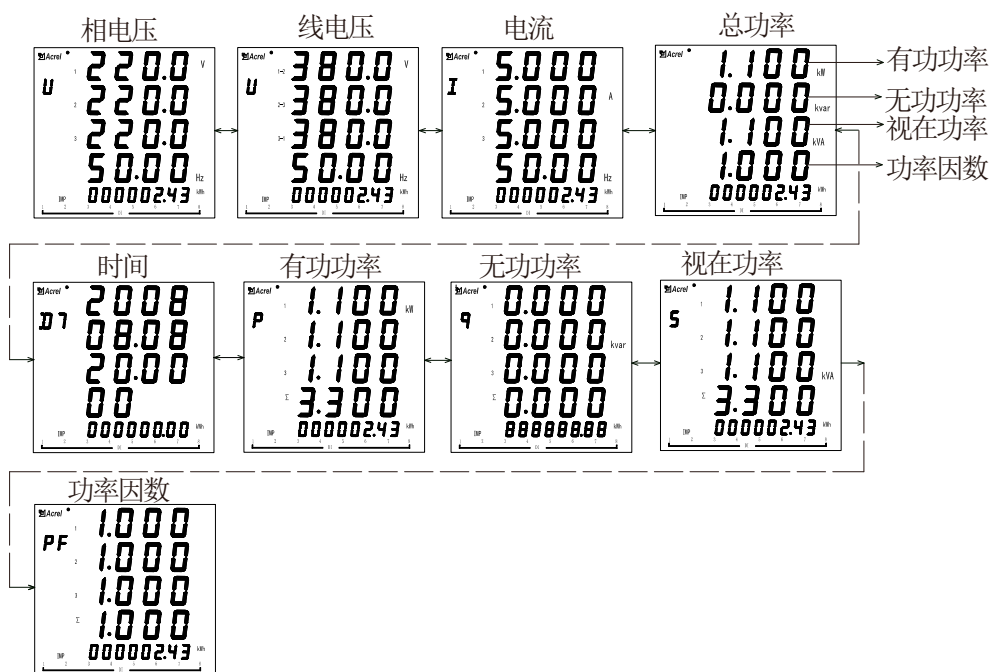
7.1.3 测量参数

7.1.3 Measuring parameter

I 电力参数 power parameter

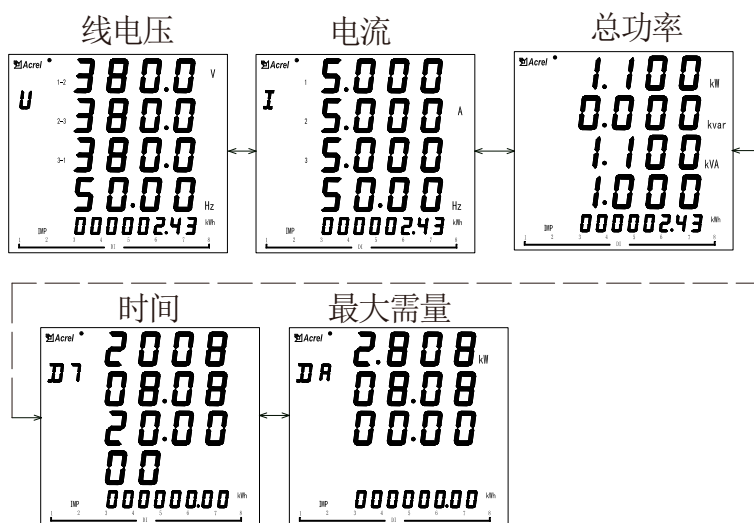
A: 对三相四线系统, 仪表上电后显示①相电压, 按左、右键可如下图切换显示其它界面: 相电压 ↔ 线电压 ↔ 电流 ↔ 总功率 (功率因数) ↔ 时间 ↔ 有功功率 ↔ 无功功率 ↔ 视在功率 ↔ 功率因数。

A: For three phase four wire system, after power up, the meter display: ① Phase voltage, press the Left or Right button can switch and display other interface as following: Phase voltage ↔ Line voltage ↔ Current ↔ Total power (power factor) ↔ Time ↔ Active power ↔ Reactive power ↔ Apparent power ↔ power factor.



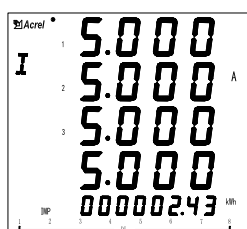
B: 对三相三线系统, 仪表上电后显示“线电压”, 按左、右键可如下图切换显示其它界面: 线电压←→电流←→总功率(功率因数)←→时间。

B: For three phase three wire system, after power up, the meter display: "Line voltage", press the Left, Right button can switch and display other interface as following: Line voltage ←→ Current ←→ Total power (power factor) ←→ Time.



注: 当带中性线电流时, 电流界面如下(频率显示设为中性线电流显示)

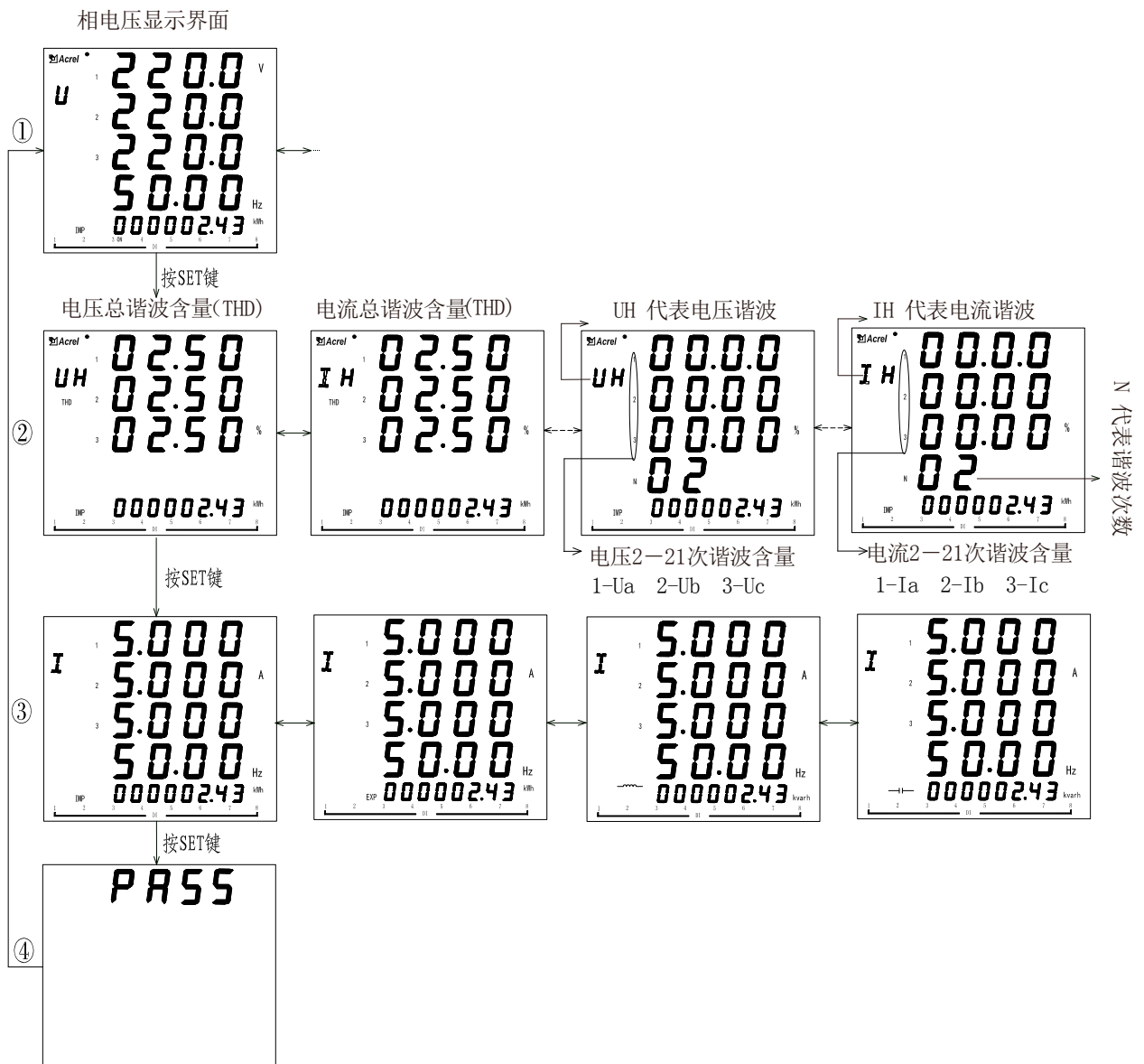
Note: in case there is the neutral line current, the current interface is as follows (frequency display set as the neutral line current display)




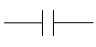
## II 谐波参数 Harmonic parameter

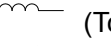

仪表显示①相电压显示界面,按 SET 键切换到②电压总谐波含量界面后,按左、右键可切换显示其它界面:电压总谐波含量 $\leftrightarrow$ 电流总谐波含量 $\leftrightarrow$ 电压 2-21 次谐波含量(按左右键分别查看 2-21 次各次电压谐波含量) $\leftrightarrow$ 电流 2-21 次谐波含量(按左右键分别查看 2-21 次各次电流谐波含量)。

Meter display:①Phase voltage displaying interface,press SET button,after switch to ② voltage Total Harmonic Content interface,press the Left,Right button can switch and display other interface as following: Voltage Total Harmonic Content  $\leftrightarrow$  Current Total Harmonic Content  $\leftrightarrow$  Voltage 2-21 order Harmonic Content(press the Left,Right button can look over Voltage 2-21 order Harmonic respectively)  $\leftrightarrow$  Current2-21 order Harmonic Content(press the Left,Right button can look over Current 2-21 order Harmonic respectively).





仪表开机后显示①相电压显示界面时,按SET键切换到③电流显示界面后,按左右键切换显示:  
 EIMP(总吸收有功电能) ←→ EEXP (总释放有功电能) ←→ E  (总感性无功电度) ←→ E  (总容性无功电度)。

After power up,meter display①Phase voltage displaying interface,press SET button,after switch to ③current/power display interface,press teh Left,Right button can switch and display other interface as following:EIMP (Total capture active electric energy)←→EEXP(Total release active electric energy) ←→E  (Total inductive active electric energy)←→E  (Total capacitive active electric energy).

#### 7.1.4 系统设置 System setting

##### I 编程菜单 Programming Menu

仪表开机后显示①相电压显示界面,按SET键切换到⑤PASS(输入密码“0001”)进入菜单编程界面,按左右键依次显示如下:

After power up,meter dispaly①Phase voltage displaying interface,after press SET to switch to ⑤PASS (input password “0001”) enter menu programming interface,press Left/Right button,the displaying sequence as following:

第一级菜单 First menu	第二级菜单 Second menu	说明 Description	
<i>In.Pt</i>	0~9999	电压倍数 Voltage transformation ratio	例: 10KV/100V 即设为 0100 150A/5A 即设为 0030
<i>In.Ct</i>	0~9999	电流倍数 Current transformation ratio	Case: 10KV/100V set for 0100 150A/5A set for 0030
<i>LinE</i>	3P3L、3P4L	接线方式(三相三线、三相四线) Connection mode(3-phase 3-wire;3-phase 4-wire)	
<i>In.U</i>	100、400、660	输入电压范围 Voltage grade	
<i>In.I</i>	1、5	输入电流范围 Current grade	
<i>Addr</i>	1~247	通讯地址 Communication address	
<i>bAUD</i>	1200、2400、4800、9600、19200、38400	通讯波特率 Communication Baud rate	
<i>SYS</i>	<i>CLr.E</i>	按回车键,电能清零 Press ENTER,Electric energy reset	
	<i>CLr.d</i>	按回车键,清除最大需量 Press ENTER to clear maximum demand	
	<i>CLr.S</i>	按回车键,清除事件记录 Press ENTER to clear events log	

	<b>CLr.ñ</b>	按回车键，清除极值 Press ENTER to clear polarity value
	<b>CLr.T</b>	按回车键，清除系统运行时间 Press ENTER to clear system running time
	<b>dS.EP</b>	选择显示一次侧电能还是二次侧电能 Select to display primary or secondary electric
	<b>ñodE<sup>1</sup></b>	第一路通讯校验 First-way communication calibration
	<b>bAUD<sup>2</sup></b>	第二路通讯的通讯波特率 Second-way communication baud rate (1200、2400、4800、9600、19200、38400)
	<b>ñodE<sup>2</sup></b>	第二路通讯校验 Second-way communication calibration
	<b>645 Addr</b>	645 规约的地址设置 645 Convention address set
<b>Time</b>	依次显示年、月、日、时、分、秒 Followed by the year, month, day, hour, minute, second	设置当前时间 Set current time
<b>do.1-do.4</b>	更多详细信息详见 (7.1.5) More details are given in (7.1.5)	
<b>tr.1-tr.4</b>	第一路到第四路为变送输出 (详见 7.1.6) First way to fourth way transmission output (details given in 7.1.6)	
<b>b.Lcd</b>	0 —— 255 (可设 settable)	设置为 0 时，背光常亮； 设置为 1-255 时，背光在 1-255 秒后熄灭，单位： 1 秒 Setting as 0 ,backlight lights; Setting as 1-255,after 1-255 Second backlight go out,Unit:1 second
<b>PASS SET</b>	0 —— 9999 (可设 settable)	用户密码设置 password setting

注：A:开关量输出：采用继电器输出，继电器触点有两种控制方式：1、电平方式（继电器触点常开或常闭）；2、脉冲方式（继电器闭合一段时间后断开，持续时间可调由“DO.1—DO.4”中的“DLY”控制）

Note:A: Switching output: adopt relay output, relay contacts have two control modes:1.Level mode(relay contact adopt NO or NC);2.Pulse mode(relay is closed for some time then is breaking, the duration may be adjustable, controlled by 'DLY' of the 'DO.1-DO.4');

### 7.1.5 开关量输出增加的菜单

开关量输出采用继电器输出，有两种控制方式：1、报警方式（“SEL”选择不为零）；2、总线控制方式（“SEL”选择为“0.do”，此时“dLy”设置为0为电平输出方式，设置非零为脉冲方式动作后延时设置的时间自动断开）

“SEL”中设置 DO 输出类型，“0.do”表示为通信控制（此时如果 DLY 设置为 0 输出为电平方式，否则为脉冲方式，如果 DLY 设置为 2，吸合后 0.02 秒自动断开），其他为报警控制（见下表）

“dLy”为报警延时（报警用时推荐不设置为 0 防止干扰误动。）

“bAnd”为不动作带设置

“AL.Hi”为高报警数值设置（不用设置最大 9999）

“AL.Lo”为低报警数值设置（不用设置最小 -9999）

（以上 3 个设置与电量的显示值对应，显示中含小数点。例：输入 220V 100A/5A，三相四线，则 100%P 总为  $220 \times 100 \times 3 = 66\text{kW}$ 。如 100% 功率时高报警，“AL.Hi”可取 66.00；100% 电压时高报警，“AL.Hi”可取 220.0；100% 电流时高报警，“AL.Hi”可取 100.0）

“In.=0”为信号为 0 时是否允许低报警，Lo.on 使能，Lo.of 禁止。

### 7.1.5 Added menu for switch volume output

switch volume output adopts relay output; there are two control modes: 1. Alarm mode ("SEL" as zero); 2. Bus control mode ("SEL" as "0.do", and then "dLy" set as 0 level output mode; set as non-zero means auto disconnection of pulse mode post action delay time)

"SEL" set DO output type, "0.do" indicate communication control (and then in case DLY set as 0 output potential mode, or else pulse mode; in case DLY set as 2, auto disconnect in 0.02 seconds after closing), other alarm control (given in table below)

"dLy" as alarm delay (alarm setting not recommended as 0 to prevent error action due to interference)

"bAnd" no action interval

"AL.Hi" high alarm value setting (no setting of maximum 9999)

"AL.Lo" low alarm value setting (no setting of minimum -9999)

（three sets above correspond to electric energy readings and readings contain decimal point, e.g. input 220V 100A/5A, three phase four wire, 100% P total as  $220 \times 100 \times 3 = 66\text{kW}$ , e.g. 100% power high alarm, "AL.Hi" taken as 66.00; 100% voltage high alarm, "AL.Hi" taken as 220.0; 100% current high alarm, "AL.Hi" taken as 100.0）

" In.=0" whether the low alarm is allowed when the signal is 0, Lo.on enabled, Lo.of disabled.

do.1	第一路继电器输出 First-way relay output	
SEL	0	由通信控制的 DO 输出模式，此时“dLy”为 0 则为电平控制。设置其他值为自动返回模式。DO 动作后延时“dLy”（单位为 0.01 秒）后自动断开
	do	Communication controlled DO output mode, "dLy" 0 means potential control; set as other value means auto return mode; auto disconnection after DO post action delay "dLy" (unit 0.01 second)

	01	02	03	04	05	06	07	08
	U <sub>A</sub>	U <sub>B</sub>	U <sub>C</sub>	相电压报警值 Phase voltage alarm value	U <sub>AB</sub>	U <sub>BC</sub>	U <sub>CA</sub>	线电压报警值 Linear voltage alarm value
	09	10	11	12	13	14	15	16
	I <sub>A</sub>	I <sub>B</sub>	I <sub>C</sub>	电流报警值 Current alarm value	P <sub>A</sub>	P <sub>B</sub>	P <sub>C</sub>	P <sub>总</sub>
	17	18	19	20	21	22	23	24
	Q <sub>A</sub>	Q <sub>B</sub>	Q <sub>C</sub>	Q <sub>总</sub>	S <sub>A</sub>	S <sub>B</sub>	S <sub>C</sub>	S <sub>总</sub>
	25	26	27	28	29	30		31
	PF <sub>A</sub>	PF <sub>B</sub>	PF <sub>C</sub>	PF	F	电压不平衡 Voltage unbalance	电流不平衡 Current unbalance	中性线电流 Neutral line current
<b>dLY</b>	输出延时时间 Output delay time 如果为 DO 输出方式，设置为 0 时，为电平控制方式，非 0 时为脉冲控制方式，延时设置的时间后断开，延时设置范围 1—255 时，单位：0.01 秒； In case of DO output mode, set as 0, potential control mode; set as non 0 pulse control mode, disconnection after delay set time, delay set scope 1-255, unit: 0.01 second; 如果为报警输出方式，延时设置范围 1—9999 时，单位：1 秒； In case of alarm output mode, delay set scope 1—9999, unit: 1 second;							
<b>bAnd</b>	不动作带区间 No action interval							
<b>ALH</b>	高报警值 范围-9999~9999（忽略小数点位置） Scope of high alarm value -9999~9999 (decimal point not considered)							
<b>ALLo</b>	低报警值 范围-9999~9999（忽略小数点位置） Scope of low alarm value -9999~9999 (decimal point not considered)							
<b>In=0</b>	Lo.on 信号为 0 时可触发低报警 Lo.on signal 0, low alarm may be triggered Lo.oF 信号为 0 时不触发低报警 Lo.oF signal 0, low alarm is not triggered							

注：1. 三相 XX 最值表示：高报警时为三相中最大值，低报警时为三相中最小值。

Note: 1. Indication of three phase XX maximum/minimum value: high alarm represents maximum value of three phase; low alarm represents minimum value of three phase

2.第2路DO可设置“33.FL”组合报警功能,设置后二级菜单变为“SEL”(功能选择)、“dLy”(延时)、“H-U”(过线电压)、“L-U”(欠线电压)、“H-F”(过频率)、“L-F”(欠频率)、“H-P”(过功率)、“L-P”(欠功率)、“H-I”(过电流)、“L-PF”(欠功率因数)、“H-b.U”(过电压不平衡,设置为-1断相,判定条件至少一相 $>0.5U_e$ ,至少一相 $<0.1U_e$ )、“H-b.I”(过电流不平衡,设置为-1断相,判定条件至少一相 $>0.2I_e$ ,至少一相 $<0.01I_e$ )

### 3.不平衡计算

(偏移平均值最大的值与平均值的差值)/平均值\*100%,如果分母的平均值小于额定值,分母为额定值。电压额定值 $U_e$ :3相4线 $U_e$ 为相电压,菜单中设置的400V的仪表为 $220V*PT$ ,100V的仪表为 $57V*PT$ 。电流额定值 $I_e$ :5A的仪表为 $5A*CT$ ,1A的仪表为 $1A*CT$ 。

不平衡度下设置的参数为百分比格式,如设置为20表示20%。

#### 7.1.6 如何修改变送设置

模拟变送输出可选择将电网中常见的27个电量( $U_A$ 、 $U_B$ 、 $U_C$ 、 $U_{AB}$ 、 $U_{BC}$ 、 $U_{CA}$ 、 $I_A$ 、 $I_B$ 、 $I_C$ 、 $P_A$ 、 $P_B$ 、 $P_C$ 、 $P_{总}$ 、 $Q_A$ 、 $Q_B$ 、 $Q_C$ 、 $Q_{总}$ 、 $PF_A$ 、 $PF_B$ 、 $PF_C$ 、 $PF_{总}$ 、 $S_A$ 、 $S_B$ 、 $S_C$ 、 $S_{总}$ 、 $F$ 、 $I_N$ )隔离变送输出为0-20mA或4-20mA的直流信号。

2. Second way DO to be set as "33.FL" combination alarm function; after setting, level II menu changed as "SEL" (function selection), "dLy" (delay), "H-U" (high voltage), "L-U" (low voltage), "H-F" (high frequency), "L-F" (low frequency), "H-P" (high power), "L-P" (low power factor), "H-I" (high current), "L-PF" (low power factor), "H-b.U" (over voltage unbalance, set as -1 phase miss, judgement condition at least one phase $>0.5U_e$ , at least one phase $<0.1U_e$ ), "H-b.I" (over current unbalance, set as -1 phase miss, judgement condition at least one phase $>0.2I_e$ , at least one phase $<0.01I_e$ )

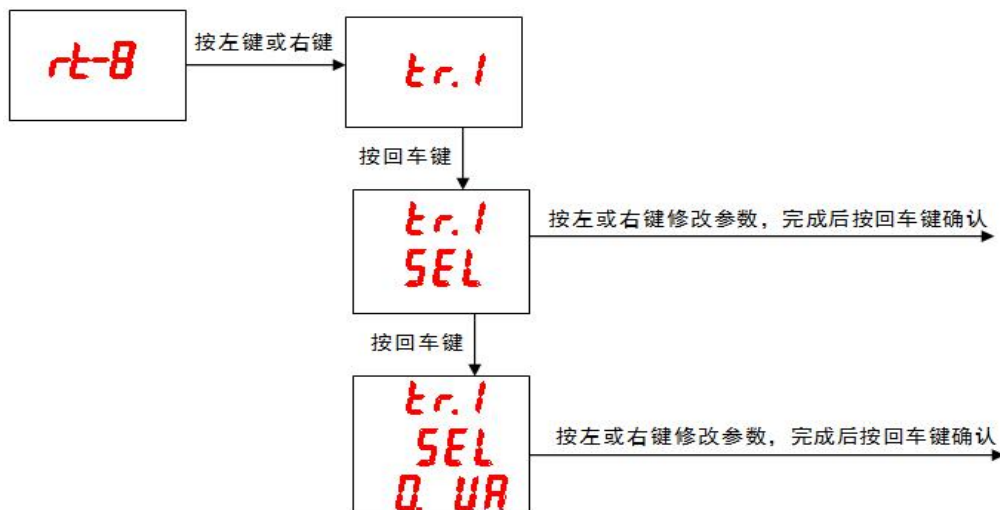
### 3.Unbalance calculation

(Difference between maximum deviation from the mean value and mean value)/mean value \*100%, if the mean value of denominator is less than the rated value, the denominator is rated value; voltage rated value  $U_e$ ; 3 phase 4 wire  $U_e$  as the phase voltage, menu setting 400V instrument as  $220V*PT$ , 100V instrument as  $57V*PT$ . Current rated value  $I_e$ : 5A instrument as  $5A*CT$ , 1A instrument as  $1A*CT$ .

Unbalance set parameter in percentage, e.g. 20 means 20%

#### 7.1.6How to change transmission setting

Analog transmission output may opt to select 27 common electric energy readings in the power grid ( $U_A$ 、 $U_B$ 、 $U_C$ 、 $U_{AB}$ 、 $U_{BC}$ 、 $U_{CA}$ 、 $I_A$ 、 $I_B$ 、 $I_C$ 、 $P_A$ 、 $P_B$ 、 $P_C$ 、 $P_{total}$ 、 $Q_A$ 、 $Q_B$ 、 $Q_C$ 、 $Q_{total}$ 、 $PF_A$ 、 $PF_B$ 、 $PF_C$ 、 $PF_{total}$ 、 $S_A$ 、 $S_B$ 、 $S_C$ 、 $S_{total}$ 、 $F$ 、 $I_N$ ) as 0-40mA or 4-20mA direct current signal for isolation transmission output.



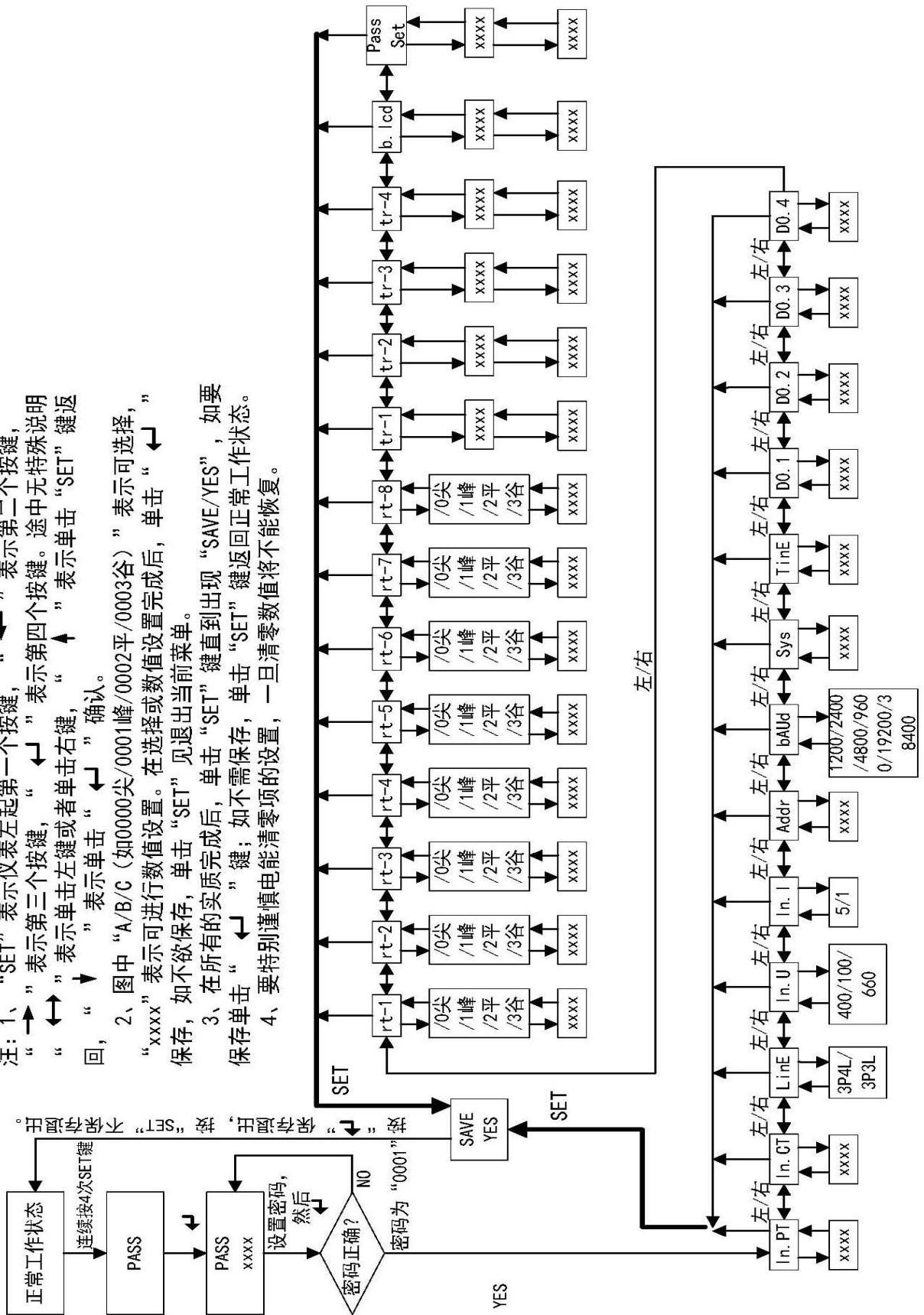
<b>Er.1</b>	第一路变送 First-way transmission								
<b>SEL</b>	00	01	02	03	04	05	06	07	
	U <sub>A</sub>	U <sub>B</sub>	U <sub>C</sub>	U <sub>AB</sub>	U <sub>BC</sub>	U <sub>CA</sub>	I <sub>A</sub>	I <sub>B</sub>	
	08	09	10	11	12	13	14	15	
	I <sub>C</sub>	P <sub>A</sub>	P <sub>B</sub>	P <sub>C</sub>	P <sub>total</sub>	Q <sub>A</sub>	Q <sub>B</sub>	Q <sub>C</sub>	
	16	17	18	19	20	21	22	23	
	Q <sub>total</sub>	SA	SB	SC	S <sub>total</sub>	PF <sub>A</sub>	PF <sub>B</sub>	PF <sub>C</sub>	
	24	25	26						
	PF	F	I <sub>N</sub>						
<b>TYPE</b>	4~20mA 或 0~20mA 4~20mA or 0~20mA								
<b>Ra.Hi</b>	20mA 输出与电量的显示值相对应：如输入为 220V，100A/5A，三相四线制，则 100%P 总为 220V×100A×3=66kW，显示值为 66.00kW，则该值取 66.00(计小数点)，若三相三线，则 220kV×100A×√3=38.10kW；该值取 38.10，其它电量模拟量输出设置类似。 20mA output corresponding to electric energy reading: in case of input 220V, 100A/5A, three phase four wire, 100%P means 220V×100A×3=66kW, reading 66.00kW, the value is taken as 66.00 (decimal points considered); in case of three phase three wire, 220kV×100A×√3=38.10kW; if the value is taken as 38.10, other electric energy analog output set is similar.								
<b>Ra.Lo</b>	变送低点对应值 Value corresponding to transmission low point								

II 系统设置流程图 (末页附图)

System setting flow chart (attached drawing at the last page)

系统设置图

- 注: 1、“SET”表示仪表左起第一个按键,“←”表示第二个按键,“→”表示第三个按键,“↵”表示第四个按键。途中无特殊说明“↔”表示单击左键或单击右键,“↑”表示单击“SET”键返回,“↓”表示单击“↵”确认。
- 2、图中“A/B/C (如0000尖/0001峰/0002平/0003谷)”表示可选择,“xxxx”表示可进行数值设置。在选择或数值设置完成后,单击“↵”保存,如不欲保存,单击“SET”见退出当前菜单。
- 3、在所有的实质完成后,单击“SET”键直到出现“SAVE/YES”,如要保存单击“↵”键;如不需保存,单击“SET”键返回正常工作状态。
- 4、要特别谨慎电能清零项的设置,一旦清零数值将不能恢复。



## 8 通讯说明 Communication description

### 8.1 简介 General

PZ96L-E4/H、PZ42L-E4/H 通讯采用 MODBUS-RTU 通讯协议，MODBUS 协议详细定义了校验码、数据序列等，这些都是特定数据交换的必要内容。

Communication of PZ96L-E4/H、PZ42L-E4/H adopt MODBUS-RTU Communication protocol, MODBUS protocol define check code, data sequence etc. In detail, these are necessary content for specific data exchange.

### 8.2 通讯地址表 Communication Address Table

地址 Address	名称 Name	类型 Type	备注 Note	word
0	仪表地址 Meter address	R/W	仪表在网络节点中的地址(001---127) Network node meter Address (001--127)	1
1	通讯速率 Communication speed	R/W	0--4800bps; 4--2400bps 1--9600bps; 5--1200bps 2--19200bps; 3--38400bps(默认通讯速率). (Default Communication speed).	1
2	通讯校验方式 Communication check mode	R/W	0--无校验位(默认的方式) 0-No parity bit(Default mode); 1--奇校验位; 1-Odd parity bit; 2--偶校验位. —Even parity bit. 3--2 bits	1
3	接线方式 Wiring mode	R/W	0--3 相 3 线; 0—3-phase 3-wire; 1--3 相 4 线. 1—3-phase 4-wire.	1
4	电压等级 Voltage level	R/W	0--100V; 1--400V; 2--660V.	1
5	电流等级 Current level	R/W	0--1A、 1--5A.	1
6	电压变比 Voltage transformation ratio	R/W	电压变比(0001---9999). Voltage transformation ratio (0001---9999).	1
7	电流变比 Current transformation ratio	R/W	电流变比(0001---9999). Current transformation ratio (0001---9999).	1
8	背光延时时间	R/W	设置为 0 时，背光常亮; Setting as 0,backlight lights;	1



	Backlight delay time		设置为 1-255 时, 背光在 1-255 秒后熄灭. Setting as 1-255,after 1-255 seconds backlight go out.	
9	开关量延时时间 Switching delay time	R/W	设置为 0 时, 继电器 1 为电平控制方式; Setting as 0,relay 1 adopt level control mode; 设置为 1-255 时, 继电器 1 为脉冲控制方式, 单位 0.01 秒. Setting as 1-255,relay 1 adopt pulse control mode, Unit :0.01second.	1
10	开关量延时时间 Switching delay time	R/W	设置为 0 时, 继电器 2 为电平控制方式; Setting as 0,relay 2 adopt level control mode; 设置为 1-255 时, 继电器 2 为脉冲控制方式, 单位 0.01 秒. Setting as 1-255,relay 2 adopt pulse control mode,Unit :0.01second.	1
11	开关量延时时间 Switching delay time	R/W	设置为 0 时, 继电器 3 为电平控制方式; Setting as 0,relay 3 adopt level control mode; 设置为 1-255 时, 继电器 3 为脉冲控制方式, 单位: 0.01 秒. Setting as 1-255,relay 3 adopt pulse control mode,Unit :0.01second.	1
12	开关量延时时间 Switching delay time	R/W	设置为 0 时, 继电器 4 为电平控制方式; Setting as 0,relay 4 adopt level control mode; 设置为 1-255 时, 继电器 4 为脉冲控制方式, 单位: 0.01 秒. Setting as 1-255,relay 4 adopt pulse control mode,Unit :0.01second.	1
53	第一路开关量输入 First channel Switching input	RO	有开关量输入时为 1, 无开关量输入时为 0. Switching as 1,non-switching as 0.	1
54	第二路开关量输入 Second channel Switching input	RO		1
55	第三路开关量输入 Third channel Switching input	RO		1
56	第四路开关量输入 Fourth channel Switching input	RO		1
57	第五路开关量输入 Fifth channel Switching input	RO		1
58	第六路开关量输入 Sixth channel Switching input	RO		1

59	第七路开关量输入 Seventh channel Switching input	RO		1
60	第八路开关量输入 Eighth channel Switching input	RO		1
61	第一路开关量输出 First channel Switching output	R/W	写 1 时输出继电器触点闭合, Writing 1,Output relay contact is closed, 写 0 时输出继电器触点分开. Writing 0,Output relay contact is opening.	1
62	第二路开关量输出 Second channel Switching output	R/W	写 1 时输出继电器触点闭合, Writing 1,Output relay contact is closed, 写 0 时输出继电器触点分开. Writing 0,Output relay contact is opening.	1
63	第三路开关量输出 Third channel Switching output	R/W	写 1 时输出继电器触点闭合, Writing 1,Output relay contact is closed, 写 0 时输出继电器触点分开. Writing 0,Output relay contact is opening.	1
64	第四路开关量输出 Fourth channel Switching output	R/W	写 1 时输出继电器触点闭合, Writing 1,Output relay contact is closed, 写 0 时输出继电器触点分开. Writing 0,Output relay contact is opening.	1
143-148	事件记录 1 Event record 1	RO	保留 retain	6
149-154	事件记录 2 Event record 2	RO	保留 retain	6
155-160	事件记录 3 Event record 3	RO	保留 retain	6
161-166	事件记录 4 Event record 4	RO	保留 retain	6
167-172	事件记录 5 Event record 5	RO	保留 retain	6
173-178	事件记录 6 Event record 6	RO	保留 retain	6
179-184	事件记录 7 Event record 7	RO	保留 retain	6
185-190	事件记录 8	RO	保留	6

	Event record 8		retain	
191-196	事件记录 9 Event record 9	RO	保留 retain	6
197-202	事件记录 10 Event record 10	RO	保留 retain	6
203-208	事件记录 11 Event record 11	RO	保留 retain	6
209-214	事件记录 12 Event record 12	RO	保留 retain	6
215-220	事件记录 13 Event record 13	RO	保留 retain	6
221-226	事件记录 14 Event record 14	RO	保留 retain	6
227-232	事件记录 15 Event record 15	RO	保留 retain	6
233-238	事件记录 16 Event record 16	RO	保留 retain	6
242	中性线电流 Neutral current	RO	二次侧 电流小数点位数: 3 Secondary side Current decimal Point digital:3	1
243	相电压 Uan Phase Voltage Uan	RO	二次侧 电压小数点位数: 1 Secondary side Voltage decimal Point digital:1	1
244	相电压 Ubn Phase Voltage Ubn	RO	二次侧 Secondary side	1
245	相电压 Ucn Phase Voltage Ucn	RO	二次侧 Secondary side	1
246	线电压 Uab Line Voltage Uab	RO	二次侧 Secondary side	1
247	线电压 Ubc Line Voltage Ubc	RO	二次侧 Secondary side	1
248	线电压 Uca Line Voltage Uca	RO	二次侧 Secondary side	1
249	相电流 Ia Phase Current Ia	RO	二次侧 电流小数点位数: 3 Secondary side Current decimal Point digital:3	1
250	相电流 Ib Phase Current Ib	RO	二次侧 Secondary side	1
251	相电流 Ic Phase Current Ic	RO	二次侧 Secondary side	1
252	频率 F Frequency F	RO	频率小数点位数: 2 Frequency decimal Point digital:2	1
253-254	A 相有功功率 Pa Phase A Active power Pa	RO	二次侧 有功功率 小数点位数: 2 Secondary side Active power decimal	2

			Point digital:2	
255-256	B 相有功功率 Pb Phase B Active power Pb	RO	二次侧 Secondary side	2
257-258	C 相有功功率 Pc Phase C Active power Pc	RO	二次侧 Secondary side	2
259-260	总有功功率 P 总 Total.Active power PTotal	RO	二次侧 Secondary side	2
261-262	A 相无功功率 Qa Phase A Reactive power Qa	RO	二次侧 无功功率 小数点位数: 2 Secondary side Reactive power decimal Point digital:2	2
263-264	B 相无功功率 Qb Phase B Reactive power Qb	RO	二次侧 Secondary side	2
265-266	C 相无功功率 Qc Phase C Reactive power Qc	RO	二次侧 Secondary side	2
267-268	总无功功率 Q 总 Total Reactive power Q Total	RO	二次侧 Secondary side	2
269-270	A 相视在功率 Sa Phase A Apparent power Sa	RO	二次侧 视在功率 小数点位数: 2 Secondary side Apparent power decimal Point digital:2	2
271-272	B 相视在功率 Sb Phase B Apparent power Sb	RO	二次侧 Secondary side	2
273-274	C 相视在功率 Sc Phase C Apparent power Sc	RO	二次侧 Secondary side	2
275-276	总视在功率 S 总 Total Apparent power S Total	RO	二次侧 Secondary side	2
277	A 相功率因数 Phase A power factor	RO	功率因数 小数点位数: 3 power factor decimal Point digital:3	1
278	B 相功率因数 Phase B power factor	RO		1
279	C 相功率因数 Phase C power factor	RO		1
280	总功率因数 Total power factor	RO		1
365-366	正向有功电能 EPI Forward active Electric energy EPI	RO	二次侧电能, 2 位小数点 Secondary side Electric energy, 2-bit decimal point	2
367-368	反向有功电能 EPE Backward active Electric energy EPE	RO	二次侧电能, 2 位小数点 Secondary side Electric energy, 2-bit decimal point	2
369-370	正向无功电能 EQL Forward reactive Electric energy EQI	RO	二次侧电能, 2 位小数点 Secondary side Electric energy, 2-bit decimal point	2
371-372	反向无功电能 EQC Backward reactive Electric energy EQC	RO	二次侧电能, 2 位小数点 Secondary side Electric energy, 2-bit decimal point	2

373-392	A 相电压 2—21 次谐波含有率 A Phase Voltage 2-21 order harmonic ratio	RO	A 相电压 2-21 次谐波; 小数点位数: 2 A Phase Voltage 2-21 order harmonic;2-bit decimal point	30
403-422	B 相电压 2—21 次谐波含有率 B Phase Voltage 2-21 order harmonic ratio	RO	B 相电压 2-21 次谐波,小数点位数: 2 B Phase Voltage 2-21 order harmonic,2-bit decimal point	30
433-452	C 相电压 2—21 次谐波含有率 C Phase Voltage 2-21 order harmonic ratio	RO	C 相电压 2-21 次谐波,小数点位数: 2 C Phase Voltage 2-21 order harmonic ,2-bit decimal point	30
463-482	A 相电流 2—21 次谐波含有率 A Phase Current 2-21 order harmonic ratio	RO	A 相电流 2-21 次谐波,小数点位数: 2 A Phase Current 2-21 order harmonic,2-bit decimal point	30
493-512	B 相电流 2—21 次谐波含有率 B Phase Current 2-21 order harmonic ratio	RO	B 相电压 2-21 次谐波,小数点位数: 2 B Phase Current 2-21 order harmonic,2-bit decimal point	30
523-542	C 相电流 2—21 次谐波含有率 C Phase Current 2-21 order harmonic ratio	RO	C 相电流 2-21 次谐波,小数点位数: 2 C Phase Current 2-21 order harmonic,2-bit decimal point	30
553	A 相电压总谐波畸变率 A Phase Voltage Total harmonic distortion	RO	A 相电压总谐波含量;小数点位数: 2 A Phase Voltage Total harmonic content;decimal point digital:2	1
554	B 相电压总谐波畸变率 B Phase Voltage Total harmonic distortion	RO	B 相电压总谐波含量;小数点位数: 2 B Phase Voltage Total harmonic content;decimal point digital:2	1
555	C 相电压总谐波畸变率 C Phase Voltage Total harmonic distortion	RO	C 相电压总谐波含量;小数点位数: 2 C Phase Voltage Total harmonic content;decimal point digital:2	1
556	A 相电流总谐波畸变率 A Phase Current Total harmonic distortion	RO	A 相电流总谐波含量;小数点位数: 2 A Phase Current Total harmonic content;decimal point digital:2	1
557	B 相电流总谐波畸变率 B Phase Current Total harmonic distortion	RO	B 相电流总谐波含量;小数点位数: 2 B Phase Current Total harmonic content;decimal point digital:2	1
558	C 相电流总谐波畸变率 C Phase Current Total harmonic distortion	RO	C 相电流总谐波含量;小数点位数: 2 C Phase Current Total harmonic content;decimal point digital:2	1
1000	DIDO 状态 DIDO state	R/W	高字节为 DI(bit0 为 DI1,bit1 为 DI2,以此类推, bit7 为 DI8),低字节为 DO (bit0 为 DO1,bit1 为 DO2,以此类推, bit7 为 DO8) High bytes DI (bit 0 as DI1, bit 1 as DI2, like this, bit 7 as DI8), low bytes DO (bit 0 as DO1, bit 1 as DO2, like this, bit 7 as DO8)	1
1001	第 1 路报警选择	R/W	0-32, 详见 7.1.5 表中的对应关系 如总	1

	First way alarm selection		有功功率报警, 此值为 16. 0-32, details given in correlation in table 7.1.5, e.g. total active power alarm, value 16	
1002	第 1 路报警延时 First way alarm delay	R/W	0-9999 单位:s; 如总有功功率报警, 此值为 16. 0-9999 unit: s; e.g. total active power alarm, the value being 16	1
1003	第 1 路报警死区 First way alarm dead zone	R/W	-9999 – 9999 详见 7.1.5 , 例: 显示值为 66.00Kw,通讯值为 6600 -9999 – 9999 details given in 7.1.5, e.g. reading 66.00Kw, communication value 6600	1
1004	第 1 路报警高报警 First way high alarm	R/W		1
1005	第 1 路报警低报警 First way low alarm	R/W		1
1006	第 1 路报警 0 报警 First way 0 alarm	R/W	0 – 1 (0: 使能, 1: 禁止) 0 – 1 (0: enabled, 1: disabled)	1
1007-1012	第 2 路 (同上) Second way (same as above)	R/W	比第一路多一种组合报警选择, 种类选择为 0-33 (取值为 33 时, 对应设置地址为 1030-1037 有效), 其余同第一路 One more combination alarm selection than the first way, type selection 0-33 (in case of value 33, corresponding set address 1030-1037 effective), the remaining same as first way	6
1013-1018	第 3 路 (同上) Third way (same as above)	R/W	同第一路 Same as first way	6
1019-1024	第 4 路 (同上) Fourth way (same as above)	R/W	同上 Same as above	6
1030	组合报警参数 过频率 Combination alarm parameter Over frequency	R/W	-9999 – 9999 仅限第二路报警为组合报警时有效, 详见 7.1.5; 例: 显示值为 66.00Kw,通讯值为 6600 -9999 – 9999 only effective when the second way alarm is the combination alarm, details given in 7.1.5; e.g. reading 66.00Kw, communication value 6600	1
1031	欠频率 Under frequency	R/W		1
1032	过功率 Over power	R/W		1
1033	欠功率 Under power	R/W		1

1034	过电流 Over current	R/W		1
1035	欠功率因数 Under power factor	R/W		1
1036	过电压不平衡 Over voltage unbalance	R/W	-1 – 9999 详见 7.1.5, 例: 显示值为 55.00Kw, 通讯值为 5500 -1 – 9999 details given in 7.1.5, e.g.: reading 55.00Kw, communication value 5500	1
1037	过电流不平衡 Over current unbalance	R/W		1
1038	组合报警状态 Combination alarm state	RO	第 0 位表示过电压报警状态, 第一位表示欠电压报警状态, 依次类推到第 9 位 0 bit indicates over voltage alarm state, first bit indicates under voltage alarm state, in the same manner till bit 9	1
1040	第 1 路变送选择 (低字节有效) First way transmission selection (low bytes effective)	R/W	0-25 详见 7.1.6 表格中的对应关系; 如总有功功率报警, 此值为 12. 0-25 details given in correlation in table 7.1.6; e.g. total active power alarm, the value being 12	1
1041	第 1 路高变送 First way high transmission	R/W	-9999 – 9999 详见 7.1.6; 例: 显示值为 50.00Kw, 通讯值为 5000 -9999 – 9999 details given in 7.1.6; e.g. reading 50.00Kw, communication value 5,000	1
1042	第 1 路低变送 First way low transmission	R/W		1
1043-1045	第 2 路变送 Second way transmission	R/W		3
1046-1048	第 3 路变送 Third way transmission	R/W		3
1049-1051	第 4 路变送 Fourth way transmission	R/W		3
1100-1102	DLT/645 地址 DLT/645 address	R/W		3
1103	第二路通讯的通讯速率 Second way communication speed	R/W	0--4800bps; 4--2400bps 1--9600bps; 5--1200bps 2--19200bps; 3--38400bps(默认通讯速率 default communication speed).	1
1104	第二路通讯校验方式	R/W	0--无校验位(默认的方式);no calibration bit (default mode)	1

	Second way communication calibration mode		1--奇校验位;odd calibration bit 2--偶校验位.even calibration bit 3--2 bits	
--	---	--	--	--

注：1、读写属性：“RO”只读，读参量用 0X03H 命令；“R/W”可读可写，写系统参量用 0X10H 号命令，禁止向未列出的或不具可写属性的地址写数据。

Note: 1、Read/Write attribute: “RO” read only, this parameter use 03H command; “ R/W ” Read/Write ,system parameter use 10H command, Read in address, which is not listed or without Read/Write attribute, is forbidden.

2、仪表数据采用定点数表示，小数点位数见地址表；电压电流谐波数据为百分量表示。

2.Meter data adopt fixed\_point number, decimal point digital see Address table; voltage/current harmonic data adopt percentage.

### 8.3 通讯值与实际值对应关系（约定 Val\_t 为通讯读出值，Val\_s 为实际值） Communication reading value Vs actual value(Take Val\_t as Communication reading value,Val\_s as actual value)

#### 8.3.1、电压、电流、功率因数、频率

该系列测量值用 Modbus-RTU 通讯规约的 03 号命令读出，每一个项目占用 1 个 word。通讯值与实际二次侧测量值之间的对应关系如下表：

8.3.1、 Voltage,current,power factor ,frequency  
This series measuring value is read out by Modbus-RTU protocol 03 command,each item occupy one word.Relation between communication value and actual value(secondary side measuring) is shown as below table:

适用参量 Applied parameter	对应关系 Relation	单位 Unit
电压 Voltage Uan、Ubn、Ucn、Uab、Ubc、Uca	$Val_s = Val_t / 10$	伏 V
电流 Current I <sub>A</sub> 、I <sub>B</sub> 、I <sub>C</sub>	$Val_s = Val_t / 1000$	安培 A
功率因数 Power factor PFA、PFB、PFC、PF <sub>总</sub>	$Val_s = Val_t / 1000$	无单位 None
频率 Frequency FR	$Val_s = Val_t / 100$	赫兹 Hz

例：读 A 相电压 Uan, MODSCAN 在 Integer 读数方式下在地址 00F3H 栏可读到数据，即通讯读出值 Val\_t 为 2200，则  $Val_s = Val_t / 10 = 2200/10=220V$ 。

Example:Read A phase voltage Uan,MODSCAN in Integer reading mode,at address 00F3H,data can be read,i.e. communication reading value Val\_t is 2200,then  $Val_s=Val_t/10=2200/10= 220V$  .

#### 8.3.2、有功功率、无功功率、视在功率及电能（二次侧; W/Var/VA/kWh）

该系列测量值用 Modbus-RTU 通讯规约的 0x03 号命令读出，每一个项目占用两个 word。通讯值与实际值之间的对应关系如下： $Val_s = Val_t / 100$ ；其中  $Val_t =$  第一个 word $\times 65536 +$  第二个 word。

#### 8.3.2 、 Active power,Reactive power,Apparent Energy and Electric energy(Secondary side: W/Var/VA/kWh)

This series measuring value is read out by Modbus-RTU protocol 0 $\times$ 03 command,each item occupy two words.Relation between communication value and actual value is shown as below: $Val_s=Val_t/100$ ;in it, $Val_t=$ First word $\times 65536+$ second word.



例:读 A 相有功功率  $P_a$ ,MODSCAN 在 Integer 读数方式下在地址 **00FDH-00FEH:00FDH** 通讯读 出值为 1,**00FEH** 通讯读 出值为 26000, 即  $Val_t=1 \times 65536+26000=91536$ , 则  $Val_s = Val_t / 100=915.36W$ .

Example:Read A phase active power  $P_a$ ,MODBUSCAN in Integer reading mode,at address **00FDH-00FEH:00FDH** communication reading value is 1,**00FEH**,communication reading value  $Val_t$  is 26000,namely i.e.  $Val_t=1 \times 65536+26000=91536$ ,then  $Val_s = Val_t/100=915.36W$ .

### 8.3.3、电压电流谐波数据

该系列测量值用 Modbus-RTU 通讯规约的 0x03 号命令读出, 每一个项目占用 1 个 word。通讯值与实际值之间的对应关系如下:  $Val_s = (Val_t / 100) \%$

### 8.3.3、Voltage/current harmonic data

This series measuring value is read out by Modbus-RTU protocol  $0 \times 03$  command,each item occupy one word.Relation between communication value and actual value is shown as below: $Val_s = (Val_t / 100) \%$

例: 读电流 3 次谐波含有量, MODSCAN 在 Integer 读数方式下在地址 **0X01D0** 栏可读到数据, 即通讯读 出值  $Val_t$  为 157, 则  $Val_s = (Val_t / 100) \%=1.57\%$

Example:Read current third harmonics content,MODBUSCAN in Integer reading mode,at address **0X01D0**,read data,communication reading value  $Val_t$  is 157,then  $Val_s = (Val_t/100) \%=1.57\%$

### 8.3.4、日期时间

该系列测量值包括年、月、日、时、分、秒, 用 Modbus-RTU 通讯规约的 03 号命令读出, 每一个项目占用 1 个 word, 为 BCD 码格式。

### 8.3.4、Time

This series measuring value include year,month,day,hour,minute,second,is read out by Modbus -RTU protocol  $0 \times 03$  command,each item occupy one word,adopt BCD code format.

例: 读年数, MODSCAN 在 HEX 读数方式下在地址 **0X0081** 栏可直接读出

Example: Read the number of years, MODSCAN in HEX reading mode can be read directly in the address bar **0X0081**

## 9 DL/T-645 通讯指南 Communication Guideline

主要讲述如何利用软件通过通讯口来操控该系列仪表。内容的掌握需要您具有 DL/T645-1997 协议的知识储备并且通读了本册其它章节所有内容，对本产品功能和应用概念有较全面了解。同时需将通讯 2 口设置为 DL/T-645 协议，本章内容包括：DL/T645-1997 协议简述、通讯应用格式详解、本机的应用细节及参量地址表。

It mainly specifies how to resort to the software to control the instrument series via the communication port. The user shall have knowledge of DL/T645-1997 Communication Protocol and thoroughly read all other contents herein before a relatively comprehensive understanding on the functions and applications of the product. In the meantime, set communication port 2 as DL/T-645 Protocol. This chapter includes: DL/T645-1997 Protocol Overview, detailed explanation on the communication application format, application details and parameters address table of the instrument.

### 9.1 DL/T645-1997 协议简述 DL/T645-1997 protocol overview

该仪表使用的是符合 DL/T645-1997 规范的通讯协议，DL/T645-1997 协议详细定义了校验码、数据、序列等，这些都是特定数据交换的必要内容。DL/T645-1997 协议在一根通讯线上使用主从应答式连接（半双工），这意味着在一根单独的通讯线上信号沿着相反的两个方向传输。首先，主计算机的信号寻址到一台唯一的终端设备（从机），然后，终端设备发出的应答信号以相反的方向传输给主机。

This instrument conforms to DL/T645-1997 Communication Protocol. DL/T645-1997 Communication Protocol specifies in detail the calibration code, data, sequence, etc, which are indispensable to the specific data exchange. DL/T645-1997 Communication Protocol uses master-slave response connection (half duplex) in one communication line. It means bidirectional transmission along one standalone communication line. First, the host computer signal retrieves unique terminal equipment (slave), and then, the response signal sent by the terminal equipment is transmitted to the host in the opposite direction.

DL/T645-1997 协议只允许在主机（PC，PLC 等）和终端设备之间通讯，而不允许独立的终端设备之间的数据交换，这样各终端设备不会在它们初始化时占据通讯线路，而仅限于响应到达本机的查询信号。

DL/T645-1997 Protocol only allows communication between host (PC, PLC, etc) and terminal equipment instead of exchange of data in between the standalone terminal equipment. Thus, the terminal equipment will not occupy communication line during initializing. Instead, it's only limited to response to the corresponding enquiry signal.

### 9.2 传输方式 Transmission mode

传输方式是指一个数据帧内一系列独立的数据结构以及用于传输数据的有限规则，下面定义了与 DL/T645-1997 协议-RTU 方式相兼容的传输方式。

The transmission mode represents one series of independent data structure within one data frame and the limited rules for data transmission. Definitions of

transmission mode compatible with DL/T645-1997

- 每个字节的位
- 1 个起始位
- 8 个数据位，最小的有效位先发送
- 1 个偶校验位
- 1 个停止位
- 错误检测和校验

Protocol- RTU mode are as follows.

- each byte bit
- 1 initial bit
- 8 data bits; the smallest effective bit will be sent first
- 1 even calibration bit
- 1 stop bit
- Error checking and calibration

### 9.3 协议 Protocol

当数据帧到达终端设备时，它通过一个简单的“端口”进入被寻址到的设备，该设备去掉数据帧的“信封”（数据头），读取数据，如果没有错误，就执行数据所请求的任务，然后，它将自己生成的数据加入到取得的“信封”中，把数据帧返回给发送者。返回的响应数据中包含了以下内容：终端从机地址 (Address)、被执行了的命令(Function)、执行命令生成的被请求数据(Data)和一个校验码(Check)。发生任何错误都不会有成功的响应，或者返回一个错误指示帧。

When the data frame arrives at the terminal equipment, it resorts to one simple "port" to access the retrieved equipment. Such equipment will erase data frame "envelop" (data header) and read data. If there is no error, execute the assignment required by the data. And then, it will add the generated data into the obtained "envelop" and return the data frame to the sender. The returned response data contain contents below: terminal slave address (Address), executed command (Function), requested data (Data) generated by the execution command and one calibration code (Check). In case of any error, there won't be success response or return one error instruction frame.

#### 9.3.1 数据帧格式

#### 9.3.1 Data frame format

68H	A0	A1	A2	A3	A4	A5	68H	C	L	DI0	DI1	N1	...	Nm	CS	16H	
起始符 Initial symbol	地址域 Address field						帧起始 Frame starting	控制码 Control code	数据长度 Data length	数据标识 Data label		数据 Data				校验码 Calibration code	结束符 End symbol

##### a) 帧起始符 68H

标识一帧数据的开始，其值为 68H

##### a) Frame initial symbol 68H

Mark beginning of one frame of data and its value is 68H

##### b) 地址域 A0~A5

地址域由 6 个字节（8 位二进制码）组成，每字节 2 位 BCD 码。地址长度可达 12 位十进制数，只用 A0 与 A1，其中 A0 为地址的低字节，A1 为地址的高字节，组成地址范围为 1~247，此地址数据可在仪表中进行任意设置。其余（A2~A5）全部用 00 填充。这些位标明了用户指定的终端设备的地址，该设备将接收来自与之相连的主机数据。每个终端设备的地址必须是唯一的，仅仅被寻址到的终端会响应包含了该地址的查询。当终端发送回一个响应，响应中的从机地址数据便告诉了主机哪台终

##### b) Address field A0~A5

端正与之进行通信。当地址为 999999999999H 时，为广播地址。

The address field is composed of 6 bytes (8 bits binary code) and each byte has 2-bit BCD code. The address length may reach 12-bit decimal number; only uses A0 and A1, thereinto, A0 represents low bytes of the address while A1 represents high bytes of the address and the formed address scope is 1 ~ 247; the address data can be randomly set in the instrument. The remaining (A2 ~ A5) are fully filled by 00. Such

bits mark the user specified terminal equipment address and such equipment will receive the connected host data. Each terminal equipment address must be unique and only the retrieved terminal will respond to the contained address

enquiry. When the terminal returns one response, the responding slave address data tell host which terminal is conducting communication. When the address is 999999999999H, it's broadcast address.

c)控制码 C

功能域代码告诉了被寻址到的终端执行何种功能。下表列出了该系列列表用到的功能码，以及它们的意义和功能。

c)Control code C

The function field code tells the function to be executed by the retrieved terminal. The table below presents the function code used by the instrument series and their meanings and functions.

代码 Code	意义 Meaning	行为 Action
01H	读数据 Read data	从 PZ96L-E4/H、PZ42L-E4/H 中读取数据 Read data from PZ96L-E4/H、PZ42L-E4/H
81H	读数据应答 Read data response	PZ96L-E4/H、PZ42L-E4/H 对读数据的应答 PZ96L-E4/H、PZ42L-E4/H response to reading data
04H	写数据 Write data	将数据写入 PZ96L-E4/H、PZ42L-E4/H 中 Write data into PZ96L-E4/H、PZ42L-E4/H
84H	写数据应答 Write data response	PZ96L-E4/H、PZ42L-E4/H 对写数据的应答 PZ96L-E4/H、PZ42L-E4/H response to writing data
C4H 或 C2H C4H or C2H	错误应答 Wrong response	接收到的数据错误 Received data wrong

d) 数据域（数据标识与数据）长度 L  
数据域的字节长度。读数据时  $L \leq 200$ ，写数据时  $\leq 50$ ， $L = 0$  时表示无数据域。

d) Data field (data label and data) length L  
Data field byte length; read data  $L \leq 200$ , write data  $\leq 50$ ,  $L = 0$  means there is no data field

e)错误校验 CS

从帧起始符开始到校验码之前的所有各字节的模 256 的和，即各字节二进制算术和，不计超过 256 的溢出值。

e)Error calibration CS  
The sum of modulus 256 of all bytes starting from the frame begin symbol to calibration code, namely binary arithmetic sum of all bytes is no more than 256 overflow value.

f) 结束符 16H

标识一帧数据的结束

f) symbol 16H

Indicate the end of one frame of data

9.3.2 传输

9.3.2Transmission

a)前导字节

在发送帧信息之前，可先传送 1~4 个字节的 FEH，用以唤醒接收方

a)Lead byte

Before sending frame information, transmit 1~4 bytes FEH to awaken the receiver

b) 传输次序

所有数据项均先传送低位字节，后传送高位字节。传送的数据项（除开关量）均为实际数据的压缩 BCD 码加上 33H。如外部主机读取

b)Transmission sequence

PZ96L-E4/H、PZ42L-E4/H 的正向有功电能仪表地址为 1:

All data will have the low bytes sent before the high bytes. All data transmitted (except for switch volume) are the compressed BCD code of  
 主机发送: FE FE 68 01 00 00 00 00 00 68 01 02 43 C3 DA 16

PZ96L-E4/H、PZ42L-E4/H 应答 (0.40kWh) :  
 68 01 00 00 00 00 00 68 81 06 43 C3 73 33 33 33 6A 16

c) 传输响应

每次通讯都是由主站向按信息帧地址域选择的从站发送请求命令帧开始, 被请求的从站根据命令帧中控制码的要求作出响应。

收到命令帧后的响应延时

字节之间的停顿时间: ≤6 个字节的发送时间, 当超过此时间时, PZ96L-E4/H、PZ42L-E4/H 认为是一新的数据帧。

d) 差错控制

字节校验为偶校验, 帧校验为纵向信息校验和, 接收方无论检测到偶校验或纵向信息校验和出错, 均放弃该信息帧, 不予响应。

e) 传输速率

初始速率为: 9600bps  
 可设置为: 1200、2400、4800、9600、19200bps

9.3.3 数据标识表

表格 Table 1

序号 S/N	变量名 Variables	发送样例 (以广播地址为例, 用户可根据实际需求设定, 地址高位用“00000000”填充) Send example (take broadcast address as an example, the user may conduct setting according to actual demand, address high bit filled by "00000000")	返回字节数 Return bytes	返回数据格式 (二次测) Return data format (secondary side)	返回数据单位
1	正向有功电能 Forward active	68 99 99 99 99 99 68 01 02 43 C3 6F 16	4	XXXXXX. XX	kWh

actual data plus 33H, e.g. external host reading  
 PZ96L-E4/H、PZ42L-E4/H forward active electric energy meter address 1:

Host sending: FE FE 68 01 00 00 00 00 00 68 01 02 43 C3 DA 16

PZ96L-E4/H、PZ42L-E4/H response (0.40kWh) :  
 68 01 00 00 00 00 00 68 81 06 43 C3 73 33 33 33 6A 16

c) Transmission response

Each communication starts when the host station sends request command frame to the slave station determined according to the information frame address field and the requested slave station makes response according to the control code of the command frame.

Response delay after receiving order frame: ≤500ms

Pause between bytes: ≤6 bytes sending time; when such specified time is exceeded, PZ96L-E4/H、PZ42L-E4/H is deemed as the new data frame.

d) Error control

Byte calibration is the even calibration while the frame calibration means longitudinal information calibration sum; in case of detecting even calibration or longitudinal information calibration and error, the receiver will reject the corresponding information frame without making response.

e) Transmission speed

Initial speed: 9600bps  
 Set as: 1200, 2400, 4800, 9600, 19200bps

9.3.3 Data label table

	electric energy				
2	反向有功电能 Backward active electric energy	68 99 99 99 99 99 99 68 01 02 53 C3 7F 16	4	XXXXXXX. XX	kWh
3	正向无功电能 Forward passive electric energy	68 99 99 99 99 99 99 68 01 02 43 C4 70 16	4	XXXXXXX. XX	kvarh
4	反向无功电能 Backward passive electric energy	68 99 99 99 99 99 99 68 01 02 53 C4 80 16	4	XXXXXXX. XX	kvarh
5	A 相电压 Phase A voltage	68 99 99 99 99 99 99 68 01 02 44 E9 96 16	2	XXX	V
6	B 相电压 Phase B voltage	68 99 99 99 99 99 99 68 01 02 45 E9 97 16	2	XXX	V
7	C 相电压 Phase C voltage	68 99 99 99 99 99 99 68 01 02 46 E9 98 16	2	XXX	V
8	A 相谐波电压 Phase A harmonic voltage	68 99 99 99 99 99 99 68 01 02 47 E9 99 16	2	XXX	V
9	B 相谐波电压 Phase B harmonic voltage	68 99 99 99 99 99 99 68 01 02 48 E9 9A 16	2	XXX	V
10	C 相谐波电压 Phase C harmonic voltage	68 99 99 99 99 99 99 68 01 02 49 E9 9B 16	2	XXX	V
11	电压矢量和 Voltage vector sum	68 99 99 99 99 99 99 68 01 02 4A E9 9C 16	2	XXX	V
12	电网频率 Power grid frequency	68 99 99 99 99 99 99 68 01 02 4B E9 9D 16	2	XX. XX	Hz
13	A 相电流 Phase A current	68 99 99 99 99 99 99 68 01 02 54 E9 A6 16	2	XX. XX	A
14	B 相电流 Phase B current	68 99 99 99 99 99 99 68 01 02 55 E9 A7 16	2	XX. XX	A
15	C 相电流 Phase C current	68 99 99 99 99 99 99 68 01 02 56 E9 A8 16	2	XX. XX	A
16	A 相谐波电流 Phase A harmonic current	68 99 99 99 99 99 99 68 01 02 57 E9 A9 16	2	XX. XX	A
17	B 相谐波电流 Phase B harmonic current	68 99 99 99 99 99 99 68 01 02 58 E9 AA 16	2	XX. XX	A
18	C 相谐波电流 Phase C harmonic current	68 99 99 99 99 99 99 68 01 02 59 E9 AB 16	2	XX. XX	A

19	电流矢量和 Current vector sum	68 99 99 99 99 99 99 68 0102 5A E9 AC 16	2	XX. XX	A
20	合相有功功率 Conjunction active power	68 99 99 99 99 99 99 68 01 02 63 E9 B5 16	3	XX. XXXX	kW
21	A相有功功率 Phase A active power	68 99 99 99 99 99 99 68 01 02 64 E9 B6 16	3	XX. XXXX	kW
22	B相有功功率 Phase B active power	68 99 99 99 99 99 99 68 01 02 65 E9 B7 16	3	XX. XXXX	kW
23	C相有功功率 Phase C active power	68 99 99 99 99 99 99 68 01 02 66 E9 B8 16	3	XX. XXXX	kW
24	合相无功功率 Conjunction reactive power	68 99 99 99 99 99 99 68 01 02 73 E9 C5 16	2	XX. XX	kvar
25	A相无功功率 Phase A reactive power	68 99 99 99 99 99 99 68 01 02 74 E9 C6 16	2	XX. XX	kvar
26	B相无功功率 Phase B reactive power	68 99 99 99 99 99 99 68 01 02 75 E9 C7 16	2	XX. XX	kvar
27	C相无功功率 Phase C reactive power	68 99 99 99 99 99 99 68 01 02 76 E9 C8 16	2	XX. XX	kvar
28	合相功率因数 Conjunction power factor	68 99 99 99 99 99 99 68 01 02 83 E9 D5 16	2	X. XXX	
29	A相功率因数 Phase A power factor	68 99 99 99 99 99 99 68 01 02 84 E9 D6 16	2	X. XXX	
30	B相功率因数 Phase B power factor	68 99 99 99 99 99 99 68 01 02 85 E9 D7 16	2	X. XXX	
31	C相功率因数 Phase C power factor	68 99 99 99 99 99 99 68 01 02 86 E9 D8 16	2	X. XXX	
32	读取日期 Reading date	68 99 99 99 99 99 99 68 01 02 43 F3 9F 16	4	YYMMDDWW	WW=00
33	读取时间 Reading time	68 99 99 99 99 99 99 68 01 02 44 F3 A0 16	3	hhmmss	
34	开关量状态值 Switch state value	68 99 99 99 99 99 99 68 01 02 56 F3 B2 16	1		见附 See attachment 1

35	电压倍率 Voltage rate	68 99 99 99 99 99 99 68 01 02 68 F3 C4 16	2	XXXX	
36	电流倍率 Current rate	68 99 99 99 99 99 99 68 01 02 69 F3 C5 16	2	XXXX	
37	清开关量输出 Switch output	68 99 99 99 99 99 99 68 04 03 56 F3 00 B6 16	0		开关量输出共有 4 路 DO1-D04 The total switch volume output has 4 ways: : DO1-D04
38	设置 DO1 Set DO1	68 99 99 99 99 99 99 68 04 03 56 F3 01 B7 16	0		
39	设置 DO2 Set DO2	68 99 99 99 99 99 99 68 04 03 56 F3 02 B8 16	0		
40	设置 DO1、DO2 Set DO1, DO2	68 99 99 99 99 99 99 68 04 03 56 F3 03 B9 16	0		

附 Attachment 1:

Bit7	Bit6	Bit5	Bit4	Bit3	Bit2	Bit1	Bit0
DI1	DI2	DI3	DI4	DO1	DO2	DO3	DO4

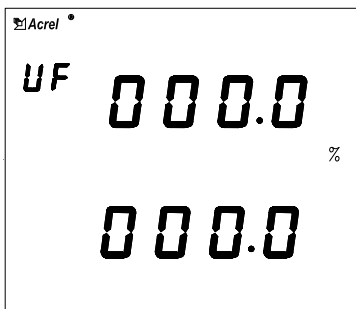


## 10 平均值、极值相关说明 (average, extreme value instructions)

### 10.1 按键操作指南 Key operation guide

按 SET 键切换到 PASS 界面，密码输入正确后按回车键进入菜单编程界面。按左、右键可切换到 FUN（功能）选项，在 FUN（功能）选项按回车键，再按左、右键可选择 FUN1 或 FUN2。按回车键进入 FUN1 即可查看平均值、极值相关的界面，按左、右键可切换显示：平均值↔相电压最大值↔相电压最小值↔线电压最大值↔线电压最小值↔电流最大值↔电流最小值↔总功率最大值↔总功率最小值↔有功功率最大值↔有功功率最小值↔无功功率最大值↔无功功率最小值↔视在功率最大值↔视在功率最小值↔功率因数最大值↔功率因数最小值↔总功率因数、中心线电流、频率最大值↔总功率因数、中心线电流、频率最小值↔电压总谐波含量（THD）最大值↔电压总谐波含量（THD）最小值↔电流总谐波含量（THD）最大值↔电流总谐波含量（THD）最小值。

在 FUN2 按回车键即可查看电压电流不平衡度（UF）。



Press the SET key to switch to PASS interface, after entering the correct password and press Enter key to access the menu programming interface. Press the left, right switch to FUN (function) option, press the Enter key, then press the left, right switch to FUN1 or FUN2. Press the Enter key to enter FUN1 to see average extremes associated interface, press left, right can switch: the average ↔ phase voltage maximum ↔ phase voltage minimum ↔ line voltage maximum ↔ line voltage minimum ↔ current maximum ↔ current minimum ↔ total power maximum ↔ total power minimum ↔ active power maximum ↔ active power minimum ↔ reactive power maximum ↔ reactive power minimum ↔ apparent power maximum ↔ apparent power minimum ↔ power factor maximum ↔ power factor minimum ↔ total power factor, the center line of current, frequency maximum ↔ voltage total harmonic content (THD) maximum ↔ voltage total harmonic content (THD) minimum ↔ current total harmonic content (THD) maximum ↔ current total harmonic content (THD) minimum.

Press the Enter key in the FUN2 interface to view the voltage and current unbalance.

### 10.2 通讯说明 Communication description

3000 高字节 High byte	小数点 U (DPT) Decimal point U (DPT)	RO	3-7	0.5
3000 低字节 Low byte	小数点 I (DCT) Decimal point I (DCT)	RO	1-5	0.5
3001 高字节 High byte	小数点 PQ (DPQ) Decimal point PQ(DPQ)	RO	4-10	0.5
3001 低字节 Low byte	符号 PQ Symbol PQ	RO	高位-低位 high bit-low bit: Q、Qc、Qb、Qa、P、Pc、Pb、Pa 0 为正, 1 为负 0 is positive, 1 is negative	0.5
3002	相电压平均值 Phase voltage average	RO	一次侧 primary side	1

3003	线电压平均值 Line voltage average	RO	一次侧 primary side	1
3004	电流平均值 Current average	RO	一次侧 primary side	1
3008-3009	系统运行时间 System uptime	R/W	以秒为单位，高字节在前，低字节在后 In seconds, the high byte before, and the low byte in the back.	2
3010	相电压 Uan 最大值 phase voltage Uan maximum	RO	一次侧 primary side	1
3011	发生时刻：年、月 Generation time: year、month	RO	高8位：年；低8位：月 High 8: year ; low 8: month	1
3012	发生时刻：日、时 Generation time: day,hour	RO	高8位：日；低8位：时 High 8: day ; low 8: hour	1
3013	发生时刻：分、秒 Generation time: minutes, seconds	RO	高8位：分；低8位：秒 High 8: minutes ; low 8: seconds	1
3014	相电压 Ubn 最大值 phase voltage Ubn maximum	RO	一次侧 primary side	1
3015	发生时刻：年、月 Generation time: year、month	RO	高8位：年；低8位：月 High 8: year ; low 8: month	1
3016	发生时刻：日、时 Generation time: day,hour	RO	高8位：日；低8位：时 High 8: day ; low 8: hour	1
3017	发生时刻：分、秒 Generation time: minutes, seconds	RO	高8位：分；低8位：秒 High 8: minutes ; low 8: seconds	1
3018	相电压 Ucn 最大值 phase voltage Ucn maximum	RO	一次侧 primary side	1
3019	发生时刻：年、月 Generation time: year、month	RO	高8位：年；低8位：月 High 8: year ; low 8: month	1
3020	发生时刻：日、时 Generation time: day,hour	RO	高8位：日；低8位：时 High 8: day ; low 8: hour	1
3021	发生时刻：分、秒 Generation time: minutes, seconds	RO	高8位：分；低8位：秒 High 8: minutes ; low 8: seconds	1
3022	线电压 Uab 最大值 line voltage Uab maximum	RO	一次侧 primary side	1
3023	发生时刻：年、月 Generation time: year、month	RO	高8位：年；低8位：月 High 8: year ; low 8: month	1

3024	发生时刻：日、时 Generation time: day, hour	RO	高 8 位：日；低 8 位：时 High 8: day ; low 8: hour	1
3025	发生时刻：分、秒 Generation time: minutes, seconds	RO	高 8 位：分；低 8 位：秒 High 8: minutes ; low 8: seconds	1
3026	线电压 Ubc 最大值 line voltage Ubc maximum	RO	一次侧 primary side	1
3027	发生时刻：年、月 Generation time: year、month	RO	高 8 位：年；低 8 位：月 High 8: year ; low 8: month	1
3028	发生时刻：日、时 Generation time: day, hour	RO	高 8 位：日；低 8 位：时 High 8: day ; low 8: hour	1
3029	发生时刻：分、秒 Generation time: minutes, seconds	RO	高 8 位：分；低 8 位：秒 High 8: minutes ; low 8: seconds	1
3030	线电压 Uca 最大值 line voltage Uca maximum	RO	一次侧 primary side	1
3031	发生时刻：年、月 Generation time: year、month	RO	高 8 位：年；低 8 位：月 High 8: year ; low 8: month	1
3032	发生时刻：日、时 Generation time: day, hour	RO	高 8 位：日；低 8 位：时 High 8: day ; low 8: hour	1
3033	发生时刻：分、秒 Generation time: minutes, seconds	RO	高 8 位：分；低 8 位：秒 High 8: minutes ; low 8: seconds	1
3034	相电流 Ia 最大值 Phase Current Ia maximum	RO	一次侧 primary side	1
3035	发生时刻：年、月 Generation time: year、month	RO	高 8 位：年；低 8 位：月 High 8: year ; low 8: month	1
3036	发生时刻：日、时 Generation time: day, hour	RO	高 8 位：日；低 8 位：时 High 8: day ; low 8: hour	1
3037	发生时刻：分、秒 Generation time: minutes, seconds	RO	高 8 位：分；低 8 位：秒 High 8: minutes ; low 8: seconds	1
3038	相电流 Ib 最大值 Phase Current Ib maximum	RO	一次侧 primary side	1
3039	发生时刻：年、月 Generation time: year、month	RO	高 8 位：年；低 8 位：月 High 8: year ; low 8: month	1
3040	发生时刻：日、时	RO	高 8 位：日；低 8 位：时	1

	Generation time: day, hour		High 8: day ; low 8: hour	
3041	发生时刻: 分、秒 Generation time: minutes, seconds	RO	高 8 位: 分; 低 8 位: 秒 High 8: minutes ; low 8: seconds	1
3042	相电流 I <sub>c</sub> 最大值 Phase Current I <sub>c</sub> maximum	RO	一次侧 primary side	1
3043	发生时刻: 年、月 Generation time: year, month	RO	高 8 位: 年; 低 8 位: 月 High 8: year ; low 8: month	1
3044	发生时刻: 日、时 Generation time: day, hour	RO	高 8 位: 日; 低 8 位: 时 High 8: day ; low 8: hour	1
3045	发生时刻: 分、秒 Generation time: minutes, seconds	RO	高 8 位: 分; 低 8 位: 秒 High 8: minutes ; low 8: seconds	1
3046	A 相有功功率 P <sub>a</sub> 最大值 A active power P <sub>a</sub> maximum	RO	一次侧 primary side	1
3047	发生时刻: 年、月 Generation time: year, month	RO	高 8 位: 年; 低 8 位: 月 High 8: year ; low 8: month	1
3048	发生时刻: 日、时 Generation time: day, hour	RO	高 8 位: 日; 低 8 位: 时 High 8: day ; low 8: hour	1
3049	发生时刻: 分、秒 Generation time: minutes, seconds	RO	高 8 位: 分; 低 8 位: 秒 High 8: minutes ; low 8: seconds	1
3050	B 相有功功率 P <sub>b</sub> 最大值 B active power P <sub>b</sub> maximum	RO	一次侧 primary side	1
3051	发生时刻: 年、月 Generation time: year, month	RO	高 8 位: 年; 低 8 位: 月 High 8: year ; low 8: month	1
3052	发生时刻: 日、时 Generation time: day, hour	RO	高 8 位: 日; 低 8 位: 时 High 8: day ; low 8: hour	1
3053	发生时刻: 分、秒 Generation time: minutes, seconds	RO	高 8 位: 分; 低 8 位: 秒 High 8: minutes ; low 8: seconds	1
3054	C 相有功功率 P <sub>c</sub> 最大值 C active power P <sub>c</sub> maximum	RO	一次侧 primary side	1
3055	发生时刻: 年、月 Generation time: year, month	RO	高 8 位: 年; 低 8 位: 月 High 8: year ; low 8: month	1
3056	发生时刻: 日、时 Generation time:	RO	高 8 位: 日; 低 8 位: 时 High 8: day ; low 8: hour	1

	day, hour			
3057	发生时刻: 分、秒 Generation time: minutes, seconds	RO	高 8 位: 分; 低 8 位: 秒 High 8: minutes ; low 8: seconds	1
3058	总有功功率 P 总最大值 Total active power P maximum	RO	一次侧 primary side	1
3059	发生时刻: 年、月 Generation time: year、month	RO	高 8 位: 年; 低 8 位: 月 High 8: year ; low 8: month	1
3060	发生时刻: 日、时 Generation time: day, hour	RO	高 8 位: 日; 低 8 位: 时 High 8: day ; low 8: hour	1
3061	发生时刻: 分、秒 Generation time: minutes, seconds	RO	高 8 位: 分; 低 8 位: 秒 High 8: minutes ; low 8: seconds	1
3062	A 相无功功率 Qa 最大值 Phase A Reactive power Qa maximum	RO	一次侧 primary side	1
3063	发生时刻: 年、月 Generation time: year、month	RO	高 8 位: 年; 低 8 位: 月 High 8: year ; low 8: month	1
3064	发生时刻: 日、时 Generation time: day, hour	RO	高 8 位: 日; 低 8 位: 时 High 8: day ; low 8: hour	1
3065	发生时刻: 分、秒 Generation time: minutes, seconds	RO	高 8 位: 分; 低 8 位: 秒 High 8: minutes ; low 8: seconds	1
3066	B 相无功功率 Qb 最大值 Phase B Reactive power Qb maximum	RO	一次侧 primary side	1
3067	发生时刻: 年、月 Generation time: year、month	RO	高 8 位: 年; 低 8 位: 月 High 8: year ; low 8: month	1
3068	发生时刻: 日、时 Generation time: day, hour	RO	高 8 位: 日; 低 8 位: 时 High 8: day ; low 8: hour	1
3069	发生时刻: 分、秒 Generation time: minutes, seconds	RO	高 8 位: 分; 低 8 位: 秒 High 8: minutes ; low 8: seconds	1
3070	C 相无功功率 Qc 最大值 Phase C Reactive power Qc maximum	RO	一次侧 primary side	1
3071	发生时刻: 年、月 Generation time: year、month	RO	高 8 位: 年; 低 8 位: 月 High 8: year ; low 8: month	1

3072	发生时刻：日、时 Generation time: day, hour	RO	高 8 位：日；低 8 位：时 High 8: day ; low 8: hour	1
3073	发生时刻：分、秒 Generation time: minutes, seconds	RO	高 8 位：分；低 8 位：秒 High 8: minutes ; low 8: seconds	1
3074	总无功功率 Q 总最大值 Total.Reactive power QTotal maximum	RO	一次侧 primary side	1
3075	发生时刻：年、月 Generation time: year、month	RO	高 8 位：年；低 8 位：月 High 8: year ; low 8: month	1
3076	发生时刻：日、时 Generation time: day, hour	RO	高 8 位：日；低 8 位：时 High 8: day ; low 8: hour	1
3077	发生时刻：分、秒 Generation time: minutes, seconds	RO	高 8 位：分；低 8 位：秒 High 8: minutes ; low 8: seconds	1
3078	A 相视在功率 Sa 最大值 Phase A Apparent power Sa maximum	RO	一次侧 primary side	1
3079	发生时刻：年、月 Generation time: year、month	RO	高 8 位：年；低 8 位：月 High 8: year ; low 8: month	1
3080	发生时刻：日、时 Generation time: day, hour	RO	高 8 位：日；低 8 位：时 High 8: day ; low 8: hour	1
3081	发生时刻：分、秒 Generation time: minutes, seconds	RO	高 8 位：分；低 8 位：秒 High 8: minutes ; low 8: seconds	1
3082	B 相视在功率 Sb 最大值 Phase B Apparent power Sb maximum	RO	一次侧 primary side	1
3083	发生时刻：年、月 Generation time: year、month	RO	高 8 位：年；低 8 位：月 High 8: year ; low 8: month	1
3084	发生时刻：日、时 Generation time: day, hour	RO	高 8 位：日；低 8 位：时 High 8: day ; low 8: hour	1
3085	发生时刻：分、秒 Generation time: minutes, seconds	RO	高 8 位：分；低 8 位：秒 High 8: minutes ; low 8: seconds	1
3086	C 相视在功率 Sc 最大值 Phase C Apparent power Sc maximum	RO	一次侧 primary side	1

3087	发生时刻：年、月 Generation time: year、month	RO	高8位：年；低8位：月 High 8: year ; low 8: month	1
3088	发生时刻：日、时 Generation time: day,hour	RO	高8位：日；低8位：时 High 8: day ; low 8: hour	1
3089	发生时刻：分、秒 Generation time: minutes, seconds	RO	高8位：分；低8位：秒 High 8: minutes ; low 8: seconds	1
3090	总视在功率 S 总最大值 Total Apparent power STotal maximum	RO	一次侧 primary side	1
3091	发生时刻：年、月 Generation time: year、month	RO	高8位：年；低8位：月 High 8: year ; low 8: month	1
3092	发生时刻：日、时 Generation time: day,hour	RO	高8位：日；低8位：时 High 8: day ; low 8: hour	1
3093	发生时刻：分、秒 Generation time: minutes, seconds	RO	高8位：分；低8位：秒 High 8: minutes ; low 8: seconds	1
3094	A 相功率因数最大值 Phase A power factor maximum	RO	功率因数 小数点位数：3 power factor.decimal Point digital:3	1
3095	发生时刻：年、月 Generation time: year、month	RO	高8位：年；低8位：月 High 8: year ; low 8: month	1
3096	发生时刻：日、时 Generation time: day,hour	RO	高8位：日；低8位：时 High 8: day ; low 8: hour	1
3097	发生时刻：分、秒 Generation time: minutes, seconds	RO	高8位：分；低8位：秒 High 8: minutes ; low 8: seconds	1
3098	B 相功率因数最大值 Phase B power factor maximum	RO		1
3099	发生时刻：年、月 Generation time: year、month	RO	高8位：年；低8位：月 High 8: year ; low 8: month	1
3100	发生时刻：日、时 Generation time: day,hour	RO	高8位：日；低8位：时 High 8: day ; low 8: hour	1
3101	发生时刻：分、秒 Generation time: minutes, seconds	RO	高8位：分；低8位：秒 High 8: minutes ; low 8: seconds	1

3102	C 相功率因数最大值 Phase C power factor maximum	RO		1
3103	发生时刻: 年、月 Generation time: year、month	RO	高 8 位: 年; 低 8 位: 月 High 8: year ; low 8: month	1
3104	发生时刻: 日、时 Generation time: day,hour	RO	高 8 位: 日; 低 8 位: 时 High 8: day ; low 8: hour	1
3105	发生时刻: 分、秒 Generation time: minutes, seconds	RO	高 8 位: 分; 低 8 位: 秒 High 8: minutes ; low 8: seconds	1
3106	频率 F 最大值 Frequency maximum	RO	频率小数点位数: 2 Frequency decimal Point digital:2	1
3107	发生时刻: 年、月 Generation time: year、month	RO	高 8 位: 年; 低 8 位: 月 High 8: year ; low 8: month	1
3108	发生时刻: 日、时 Generation time: day,hour	RO	高 8 位: 日; 低 8 位: 时 High 8: day ; low 8: hour	1
3109	发生时刻: 分、秒 Generation time: minutes, seconds	RO	高 8 位: 分; 低 8 位: 秒 High 8: minutes ; low 8: seconds	1
3110	中性线电流最大值	RO	二次侧 电流小数点位数: 3 Secondary side Current decimal Point digital:3	1
3111	发生时刻: 年、月 Generation time: year、month	RO	高 8 位: 年; 低 8 位: 月 High 8: year ; low 8: month	1
3112	发生时刻: 日、时 Generation time: day,hour	RO	高 8 位: 日; 低 8 位: 时 High 8: day ; low 8: hour	1
3113	发生时刻: 分、秒 Generation time: minutes, seconds	RO	高 8 位: 分; 低 8 位: 秒 High 8: minutes ; low 8: seconds	1
3114	A 相电压总谐波畸变率最大值 A Phase Voltage Total harmonic distortion maximum	RO	A 相电压总谐波含量;小数点位数: 2 A Phase Voltage Total harmonic content;decimal point digital:2	1
3115	发生时刻: 年、月 Generation time: year、month	RO	高 8 位: 年; 低 8 位: 月 High 8: year ; low 8: month	1
3116	发生时刻: 日、时 Generation time: day,hour	RO	高 8 位: 日; 低 8 位: 时 High 8: day ; low 8: hour	1
3117	发生时刻: 分、秒	RO	高 8 位: 分; 低 8 位: 秒	1



	Generation time: minutes, seconds		High 8: minutes ; low 8: seconds	
3118	B 相电压总谐波畸变率最大值 B Phase Voltage Total harmonic distortion maximum	RO	B 相电压总谐波含量;小数点位数: 2 B Phase Voltage Total harmonic content;decimal point digital:2	1
3119	发生时刻: 年、月 Generation time: year、month	RO	高 8 位: 年; 低 8 位: 月 High 8: year ; low 8: month	1
3120	发生时刻: 日、时 Generation time: day,hour	RO	高 8 位: 日; 低 8 位: 时 High 8: day ; low 8: hour	1
3121	发生时刻: 分、秒 Generation time: minutes, seconds	RO	高 8 位: 分; 低 8 位: 秒 High 8: minutes ; low 8: seconds	1
3122	C 相电压总谐波畸变率最大值 C Phase Voltage Total harmonic distortion maximum	RO	C 相电压总谐波含量;小数点位数: 2 C Phase Voltage Total harmonic content;decimal point digital:2	1
3123	发生时刻: 年、月 Generation time: year、month	RO	高 8 位: 年; 低 8 位: 月 High 8: year ; low 8: month	1
3124	发生时刻: 日、时 Generation time: day,hour	RO	高 8 位: 日; 低 8 位: 时 High 8: day ; low 8: hour	1
3125	发生时刻: 分、秒 Generation time: minutes, seconds	RO	高 8 位: 分; 低 8 位: 秒 High 8: minutes ; low 8: seconds	1
3126	A 相电流总谐波畸变率最大值 A Phase Current Total harmonic distortion maximum	RO	A 相电流总谐波含量;小数点位数: 2 A Phase Current Total harmonic content;decimal point digital:2	1
3127	发生时刻: 年、月 Generation time: year、month	RO	高 8 位: 年; 低 8 位: 月 High 8: year ; low 8: month	1
3128	发生时刻: 日、时 Generation time: day,hour	RO	高 8 位: 日; 低 8 位: 时 High 8: day ; low 8: hour	1
3129	发生时刻: 分、秒 Generation time: minutes, seconds	RO	高 8 位: 分; 低 8 位: 秒 High 8: minutes ; low 8: seconds	1
3130	B 相电流总谐波畸变率最大值 B Phase Current Total harmonic distortion maximum	RO	B 相电流总谐波含量;小数点位数: 2 B Phase Current Total harmonic content;decimal point digital:2	1
3131	发生时刻: 年、月 Generation time: year、month	RO	高 8 位: 年; 低 8 位: 月 High 8: year ; low 8: month	1
3132	发生时刻: 日、时	RO	高 8 位: 日; 低 8 位: 时	1

	Generation time: day, hour		High 8: day ; low 8: hour	
3133	发生时刻: 分、秒 Generation time: minutes, seconds	RO	高 8 位: 分; 低 8 位: 秒 High 8: minutes ; low 8: seconds	1
3134	C 相电流总谐波畸变率最大值 C Phase Current Total harmonic distortion maximum	RO	C 相电流总谐波含量;小数点位数: 2 C Phase Current Total harmonic content;decimal point digital:2	1
3135	发生时刻: 年、月 Generation time: year、month	RO	高 8 位: 年; 低 8 位: 月 High 8: year ; low 8: month	1
3136	发生时刻: 日、时 Generation time: day, hour	RO	高 8 位: 日; 低 8 位: 时 High 8: day ; low 8: hour	1
3137	发生时刻: 分、秒 Generation time: minutes, seconds	RO	高 8 位: 分; 低 8 位: 秒 High 8: minutes ; low 8: seconds	1

总部：安科瑞电气股份有限公司

地址：上海市嘉定区育绿路 253 号

电话：(86)021-69158300 69158301 69158302

传真：(86)021-69158303

服务热线：800-820-6632

网址：www.acrel.cn

邮箱：ACREL001@vip.163.com

邮编：201801

Headquarters: Acrel Co., Ltd.

Address: Yulv Road 253, Madong Industrial Park, Jiading, Shanghai

Tel.: (86)021-69158300 69158301 69158302

Fax: (86)21-69158303

Service hotline: 800-820-6632

Website: www.acrel.cn

E-mail: ACREL001@vip.163.com

P.C.: 201801

生产基地：江苏安科瑞电器制造有限公司

地址：江阴市南闸街道东盟路 5 号

电话(传真)：(86)0510-86179970

邮编：214405

邮箱：JY-ACREL001@vip.163.com

Production base: Jiangsu Acrel Electric Appliances Manufacturing Co., Ltd,

Address: Dongmeng Road 5, Nanzha Street, Jiangyin City

Tel./fax: (86)0510-86179970

P.C.: 214405

E-mail: JY-ACREL001@vip.163.com

更改记录：

V1.2：更正 8.3.1、8.3.2、8.3.3 中举例的参数地址；

2.1 系列产品规格增加电压电流不平衡度 (UF)；

10.1 按键操作指南增加查看电压电流不平衡度 (UF) 的操作方法。